

PROJECT: \_\_\_\_\_

SCHEDULE: \_\_\_\_\_ DATE: \_\_\_\_\_

PREPARE BY: \_\_\_\_\_

NOTES: \_\_\_\_\_

**BLD 5.5 BOLLARD**

**DESCRIPTION**

naturaLED® 5.5 BLD bright pathway lighting is important for the safety of pedestrian foot traffic. Ensuring that sidewalks and pavement are well lit reduces the risk of people tripping and falling. The superior quality of our DLC Bollard light fixture provides glare-free lighting with selectable wattages and color temperature that replaces up to 2,100 lumens.

**APPLICATIONS**

Security, Pathway, Perimeter, Entryway, Area Lighting



**Rated Life 50,000 Hours  
Warranty 5 Years**

**FEATURES**

- DLC Premium / Energy Star
- IP65 Rated
- ETL/cETL Listed
- Wattage & Color Selectable
- Wattage: 10-18W
- Color Temp: CCT3 (30/40/50K)
- Voltage: 120-277V
- Surge Protection: 10KV
- Dimmable: 0-10V
- CRI >80
- Operating temperature: - 40°F - 122°F
- Beam Angle: 360°
- Energy savings up to 80% compared to metal halide bollards
- 5.5" diameter makes easy replacement for traditional bollards
- Material: Die Cast Aluminum
- Color: Black (RAL#9005), Bronze
- Warranty: 5-Year
- Optional Accessories for Purchase: Type 3 Plate, Bollard Body

**ACCESSORIES**

	Type 3 Plate
	Bollard Body Bronze 34"
	Bollard Body Black 24"

**SAMPLE NUMBER FX5.5BLD18SW/41FCN/8CCT3/BK**

FAMILY	DIAMETER	SERIES	WATTAGE	LENGTH/SHAPE	CRI/COLOR TEMP	COLOR
FX Fixture	5.5 5.5-inch	BLD Bollard	18SW Selectable Wattage (10/15/18W)	41FCN 41-42 inch FCN -Flat Cone FLV- Flat Louver Reflector RCN -Round Cone RLV- Round Louver Reflector RLO- Round Louver Open RLF- Round Louver Frosted RDM- Round Dome	8CCT3 CRI 80 Selectable CCT (3000/4000/5000K)	BK Black  BZ Bronze



# 5.5 BOLLARD

## SECURITY & AREA LUMINAIRES

### ORDERING

\*P= Premium DLC / \*S = Standard DLC / \*E = Energy Star

Watts (W)	Ordering Code	Description	CCT (K)	Lumens (Lm)	Equivalent Wattage	Size	IP65 Rated	DLC (S/P)
10	<b>7742</b>	FX5.5BLD18SW/42RDM/8CCT3/BK-PH	3CCT	700	100W	6.5"x42"	•	E
15			(3K/4K/5K)	1,050				
18				1,260				
10	<b>7745</b>	FX5.5BLD18SW/32RDM/8CCT3/BK-PH	3CCT	700	100W	6.5"x32"	•	E
15			(3K/4K/5K)	1,050				
18				1,260				
10	<b>7669</b>	FX5.5BLD18SW/42RDM/8CCT3/BZ-PH	3CCT	700	100W	6.5"x42"	•	E
15			(3K/4K/5K)	1,050				
18				1,260				
10	<b>7740</b>	FX5.5BLD18SW/42RLO/8CCT3/BK	3CCT	600	100W	5.5"x42"	•	E
15			(3K/4K/5K)	900				
18				1,080				
10	<b>7741</b>	FX5.5BLD18SW/42RLF/8CCT3/BK	3CCT	500	100W	5.5"x42"	•	E
15			(3K/4K/5K)	750				
18				900				
10	<b>7667</b>	FX5.5BLD18SW/42RLO/8CCT3/BZ	3CCT	600	100W	5.5"x32"	•	E
15			(3K/4K/5K)	900				
18				1,080				
10	<b>7668</b>	FX5.5BLD18SW/42RLF/8CCT3/BZ	3CCT	600	100W	5.5"x42"	•	E
15			(3K/4K/5K)	900				
18				1,080				
10	<b>9643</b>	FX5.5BLD18SW/41FCN/8CCT3/BK	3CCT	1,228	100W	5.5"x41"	•	P
15			(3K/4K/5K)	1,875				
18				2,251				
10	<b>9644</b>	FX5.5BLD18SW/41FLV/8CCT3/BK	3CCT	1,200	100W	5.5"x41"	•	-
15			(3K/4K/5K)	1,800				
18				2,160				
10	<b>9645</b>	FX5.5BLD18SW/42RCN/8CCT3/BK	3CCT	1,228	100W	5.5"x42"	•	P
15			(3K/4K/5K)	1,875				
18				2,251				
10	<b>9646</b>	FX5.5BLD18SW/42RLV/8CCT3/BK	3CCT	1,200	100W	5.5"x42"	•	-
15			(3K/4K/5K)	1,800				
18				2,160				

Round Dome

42" Height

# 5.5 BOLLARD

## SECURITY & AREA LUMINAIRES

### ORDERING

\*P= Premium DLC / \*S = Standard DLC / \*E = Energy Star

Watts (W)	Ordering Code	Description	CCT (K)	Lumens (Lm)	Equivalent Wattage	Size	IP65 Rated	DLC (S/P)
10	<b>7743</b>	FX5.5BLD18SW/32RLO/8CCT3/BK	3CCT	600	100W	5.5"x32"	•	E
15			(3K/4K/5K)	900				
18				1,080				
10	<b>7744</b>	FX5.5BLD18SW/32RLF/8CCT3/BK	3CCT	500	100W	5.5"x32"	•	E
15			(3K/4K/5K)	750				
18				900				
10	<b>9699</b>	FX5.5BLD18SW/32RCN/8CCT3/BK	3CCT	1,228	100W	5.5"x32"	•	P
15			(3K/4K/5K)	1,875				
18				2,251				
10	<b>9700</b>	FX5.5BLD18SW/32RLV/8CCT3/BK	3CCT	1,200	100W	5.5"x32"	•	-
15			(3K/4K/5K)	1,800				
18				2,160				
10	<b>9697</b>	FX5.5BLD18SW/31FCN/8CCT3/BK	3CCT	1,228	100W	5.5"x31"	•	P
15			(3K/4K/5K)	1,875				
18				2,251				
10	<b>9698</b>	FX5.5BLD18SW/31FLV/8CCT3/BK	3CCT	1,200	100W	5.5"x31"	•	-
15			(3K/4K/5K)	1,800				
18				2,160				

32" Height

STYLE



**Flat Cone Reflector**  
Model: FCN



**Flat Louver Reflector**  
Model: FLV



**Round Cone Reflector**  
Model: RCN



**Round Louver Reflector**  
Model: RLV



**Round Louver Open**  
Model: RLO



**Round Louver Frosted**  
Model: RLF



**Round Dome**  
Model: RDM



ACCESSORIES

**Type 3 Plate**



P10068 PLT-5.5BLD/T3/BK  
(Plate-Type 3 plate for 5.5" bollard)

**Body - 34"**



P10531 MT-5.5BRD/34in/BZ  
(Mount-5.5" Bollard Body 34" Bronze)

**Body - 24"**



P10532 MT-5.5BRD/24in/BK  
(Mount-5.5" Bollard Body 24" Black)

**Round Louver Open (Black)**



P10533 FX5.5BLD18SW/RLO/8CCT3/BK  
(Round Louver Open Lens Black)

**Round Louver Open (Bronze)**



P10536 FX5.5BLD18SW/RLO/8CCT3/BZ  
(Round Louver Open Lens Bronze)

**Round Louver Frosted (Black)**



P10534 FX5.5BLD18SW/RLF/8CCT3/BK  
(Round Louver Frosted Lens Black)

**Round Louver Frosted (Bronze)**



P10537 FX5.5BLD18SW/RLF/8CCT3/BZ  
(Round Louver Frosted Lens Bronze)

**Round Dome (Black)**



P10535 FX5.5BLD18SW/RDM/8CCT3/BK-PHO  
(Round Dome Black w/ Photocell)

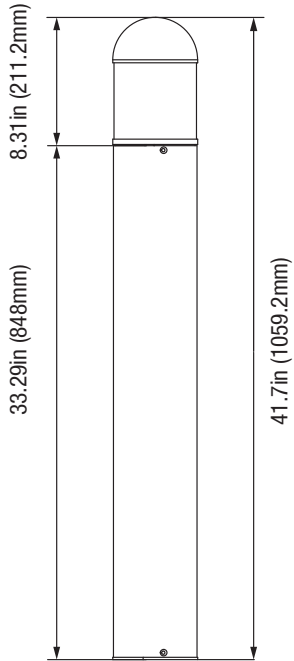
**Round Dome (Bronze)**



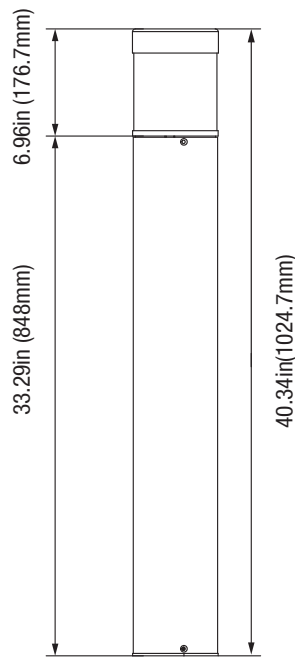
P10538 FX5.5BLD18SW/RDM/8CCT3/BZ-PHO  
(Round Dome Bronze w/ Photocell)

**DIMENSIONS**

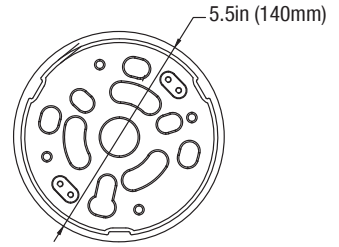
**Round**  
11-lbs



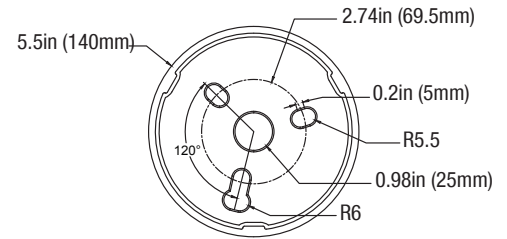
**Flat**  
11-lbs



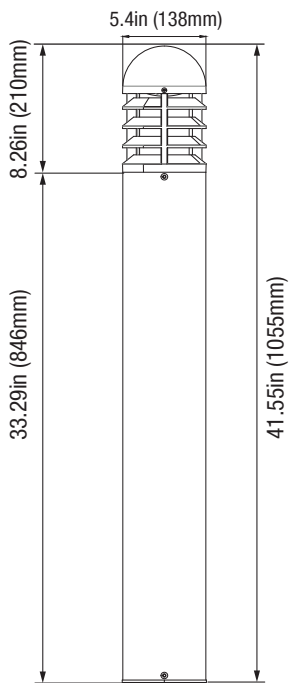
**Bollard Base**



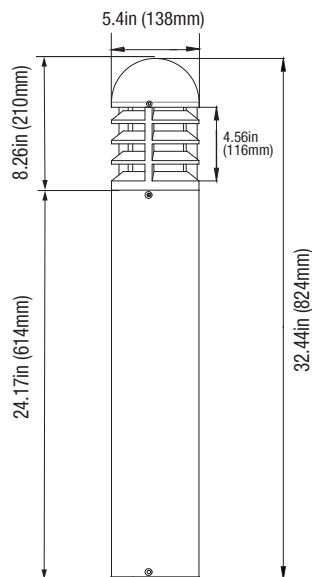
**Suggested install point**



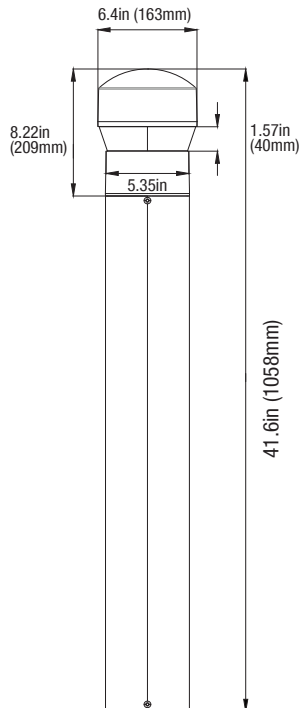
**RLO 42"**  
11-lbs



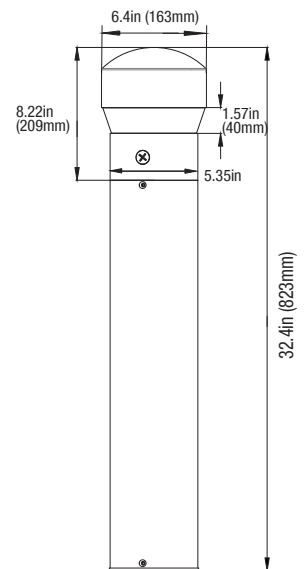
**RLO 32"**



**RDM 42"**  
11-lbs

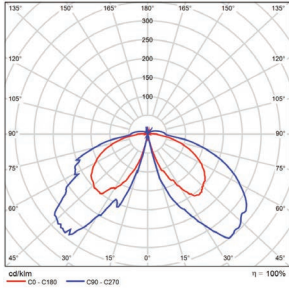


**RDM 32"**



PHOTOMETRICS CHART

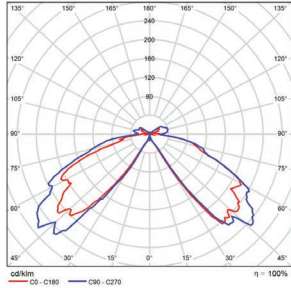
**Cone Reflector (Flat)**  
DLC Premium



	Illuminance at a Distance	
	Center Beam fc	Beam Width
0.58R	12.5 fc	1.44 ft 0.59 ft
1.17R	3.08 fc	2.91 ft 1.20 ft
1.75R	1.38 fc	4.35 ft 1.79 ft
2.33R	0.78 fc	5.79 ft 2.38 ft
2.92R	0.49 fc	7.25 ft 2.99 ft
3.50R	0.34 fc	8.69 ft 3.58 ft

■ Vert. Spread: 102.3°  
■ Horiz. Spread: 54.2°

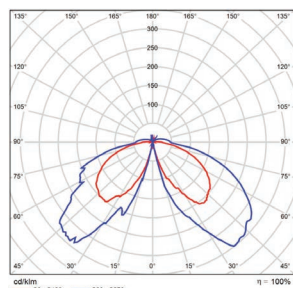
**Louver (Flat)**  
Energy Star



	Illuminance at a Distance	
	Center Beam fc	Beam Width
0.58R	3.39 fc	1.95 ft 0.38 ft
1.17R	0.83 fc	3.92 ft 0.77 ft
1.75R	0.37 fc	5.87 ft 1.15 ft
2.33R	0.21 fc	7.81 ft 1.54 ft
2.92R	0.13 fc	9.79 ft 1.92 ft
3.50R	0.09 fc	11.74 ft 2.31 ft

■ Vert. Spread: 118.4°  
■ Horiz. Spread: 36.5°

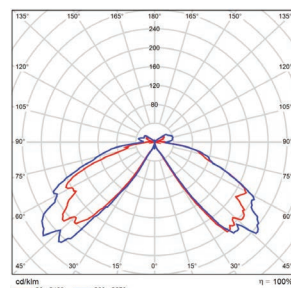
**Cone Reflector (Round)**  
DLC Premium



	Illuminance at a Distance	
	Center Beam fc	Beam Width
0.58R	12.5 fc	1.44 ft 0.59 ft
1.17R	3.08 fc	2.91 ft 1.20 ft
1.75R	1.38 fc	4.35 ft 1.79 ft
2.33R	0.78 fc	5.79 ft 2.38 ft
2.92R	0.49 fc	7.25 ft 2.99 ft
3.50R	0.34 fc	8.69 ft 3.58 ft

■ Vert. Spread: 102.3°  
■ Horiz. Spread: 54.2°

**Louver (Round)**  
Energy Star



	Illuminance at a Distance	
	Center Beam fc	Beam Width
0.58R	3.39 fc	1.95 ft 0.38 ft
1.17R	0.83 fc	3.92 ft 0.77 ft
1.75R	0.37 fc	5.87 ft 1.15 ft
2.33R	0.21 fc	7.81 ft 1.54 ft
2.92R	0.13 fc	9.79 ft 1.92 ft
3.50R	0.09 fc	11.74 ft 2.31 ft

■ Vert. Spread: 118.4°  
■ Horiz. Spread: 36.5°

PACKAGE

Case Qty 1 pc

