

CAL COMPACT AREA LIGHT Z10

PROJECT: _____

SCHEDULE: _____ DATE: _____

PREPARE BY: _____

NOTES: _____

DESCRIPTION

naturaLED® Compact Area Light is constructed with a durable, die-cast aluminum housing and excellent thermal design and is the perfect lighting solution for your parking lot, street, walkway, flood & wall light. It provides uniform, consistent color with a wide range of wattage selections to replace up to 1500W HID fixtures. Our fixtures are DLC Premium certified, IK10 and IP65 rated with five types of mounting options available: Pole Mount, Adjustable Pole, Slip Fitter, Yoke Mount, and Wall Mount. The pre-installed Z10 Receptacle allows easy plug-and-play control upgrades during installation or at a later time.



APPLICATIONS

Parking Lot, Street, Site, Streetscape, Area Lighting, Flood Light, Wall Light

FEATURES

- DLC Premium
- IP65 Rated
- UL/cUL Listed
- IK Rating: IK10
- Wattage & Color Selectable
- Z10 Receptacle Pre-installed
- Wattage: 70-150W, 200-300W
- Color Temp: CCT3 (30/40/50K)
- Voltage: 120-277V, 120-347V
- Surge Protection: 6KV
- Dimmable: 0-10V
- CRI >70
- Operating temperature: - 40°F - 122°F
- Power Cable Length: 6-ft
- Beam: Distribution :Type 3 (Optional purchase available for Type 4, Type 5 Lens)
- Lens: UV Resistant Polycarbonate Lens
- Material: Die Cast Aluminum
- Color: Bronze
- Warranty: 5 Year
- Optional Accessories for Purchase: Mounts, Lens, Sensors, Photocell, Surge Protector

ACCESSORIES

	Mounting Arms		Wall Mount
	Shorting Cap		Z10 Receptacle & Controls
	Photocell		Glare Shield
	Surge Protection		Pole Mountings
	Lens- Type IV / V		

SAMPLE NUMBER	CAL/150S/T3/C3/BZ-Z10				
SERIES	WATTAGE	LENS TYPE	CCT	COLOR	CONTROL READY
CAL	150S	T3	C3	BZ	Z10
Compact Area Light	<150 Selectable Wattages	Type 3 Lens	CCT3 (30/40/50K)	Bronze	Z10 Receptacle



COMPACT AREA LIGHT Z10

WALL & AREA LUMINAIRES

ORDERING

*P= Premium DLC / *S = Standard DLC

	Watts (W)	Ordering Code	Description	CCT (K)	Lumens (Lm)	Equiv. Wattage (W)	Size	IP65 Rated	DLC (S/P)
120-277V	70	9530	CAL/150S/T3/C3/BZ-Z10	CCT3	9,100	400-575	12.5"x13.14"	•	P
	100			(30/40/50K)	13,527				
	150				19,842				
120-277V	200	9531	CAL/300S/T3/C3/BZ-Z10	CCT3	26,000	1000-1500W	12.4"x22.72"	•	P
	240			(30/40/50K)	32,491				
	300				40,397				
120-347V	70	9604	CAL/150S/T3/C3/BZ/347-Z10	CCT3	9,100	400-575	12.5"x13.14"	•	P
	100			(30/40/50K)	13,527				
	150				19,842				
120-347V	200	9713	CAL/300S/T3/C3/BZ/347-Z10	CCT3	26,000	1000-1500W	12.4"x22.72"	•	P
	240			(30/40/50K)	32,491				
	300				40,397				

ACCESSORIES (Ordered Separately)

Slip Fitter



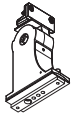
P10366 MT-CAL/SF/BZ
(Slip Fitter Mount for CAL)

8" Pole Mount Arm



P10365 MT-CAL/PM8/BZ
(8" Pole Mount Arm for CAL)

8" Adjustable Pole Mount



P10523 MT-AL/PMA8/BZ
(8" Adjustable Pole Mount-Bronze)

Wall Mount



K473478 MT-CAL/WM/BZ
(CAL Wall Mount Kit Bronze
P10473 MT-AL/WM/BZ +
P10478 MT-AL/MH/BZ)

Yoke Mount



P10367 MT-CAL/YK13/BZ
(Yoke Mount 13" for CAL)

Photocell



K141030 REC3PLK/PHO
(Twist Lock Photocell & Receptacle
120-277V 3 Prong)



K141223 REC3PLK/PHO/480
(Twist Lock Photocell & Receptacle
480V 3 Prong)

Shorting Cap



P10053 SEN-PHO-LK-MT-SRT
(Twist Lock Photocell Shorting Cap
120-480V 3 Prong)

Type IV / V Lens



P10398 LENS-CAL-IV
(Type IV Lens:
Requires 1pc for 100/150W,
Requires 2 pcs for 240/300W)

P10399 LENS-CAL-V
(Type V Lens:
Requires 1pc for 100/150W,
Requires 2 pcs for 240/300W)

Motion Sensors & Remote Control



P10520 SEN-ANT-5-Z10-PC
(Z10 Twist Lock Photocell 12-24Vdc
White)



P10521 SEN-ANT-5-Z10
(Z10 Twist-Lock Microwave Motion &
Photocell Sensor, 0-10V,12-24Vdc
White)



P10522 SEN-ANT-6-Z10
(Z10 Twist-Lock PIR Motion &
Photocell Sensor, 0-10V,12-24Vdc
White)



P10316 SEN-BRI-RC100
(Remote Programmer for
P10521 and P10522)

Surge Protectors



P10389 SPD-L-10KV-277
(Single Phase Surge Protection 10KV 120-277V)



P10390 SPD-L-20KV-277
(Single Phase Surge Protection 20KV 120-277V)



P10391 SPD-L-20KV-480
(Single Phase Surge Protection 20KV 347-480V)

Glare Shield



P10405 GSFB-CAL/BZ
(Requires 1pc for 100/150W / 2 pcs for 240/300W)

POLE BRACKETS (Ordered Separately)



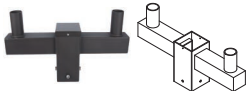
Round Pole Mount Tenon
P10348 MT-3RTV2.5-1/BZ
(3" Round Pole with 2-3/8" Tenon)

P10349 MT-4RTV2.5-1/BZ
(4" Round Pole with 2-3/8" Tenon)

P10350 MT-5RTV2.5-1/BZ
(5" Round Pole with 2-3/8" Tenon)



Spoke Mount Bracket - 90°
P10359 MT-2.5RTBH2.5-290/BZ
(Spoke Mount Bracket with Double 2-3/8" -90°)



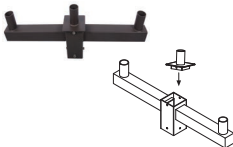
Square Pole Mount with Double - 180°
P10360 MT-4STV2.5-2180/BZ
(4" Square Pole Mount with Double 2-3/8" Tenon)



Square Pole Mount Tenon
P10351 MT-3STV2.5-1/BZ
(3" Square Pole with 2-3/8" Tenon)

P10352 MT-4RTV2.5-1/BZ
(4" Square Pole with 2-3/8" Tenon)

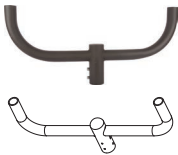
P10353 MT-5RTV2.5-1/BZ
(5" Square Pole with 2-3/8" Tenon)



Square Pole Mount with Triple - 180°
P10361 MT-4STV2.5-3180/BZ
(4" Square Pole Mount with Triple 2-3/8" Tenon)



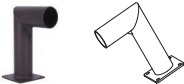
Square Pole Mount with Quad - 90°
P10362 MT-4STV2.5-490/BZ
(4" Square Pole Mount with Quad 2-3/8" Tenon)



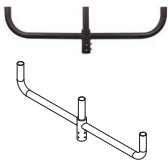
Bullhorns with Double - 180°
P10356 MT-2.5RTBV2.5-2180/BZ
(Bullhorn with Double 2-3/8" Tenon-180°)



Wall Mount Bracket
P10363 MT-4WM2.5-1/BZ
(Wall Mount Bracket with 2-3/8" Tenon)



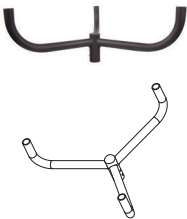
Angled Mount Bracket - 90°
P10364 MT-4WM2.5-190/BZ
(90° Angled Wall Mount with 2-3/8" Tenon)



Bullhorns with Triple - 180°
P10357 MT-2.5RTBV2.5-3180/BZ
(Bullhorn with Triple 2-3/8" Tenon-180°)



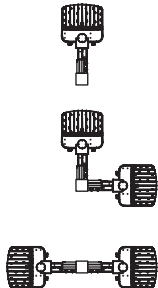
Light Pole Cap
P10354 MT-4STC/BK
(4" Square Pole Cap)



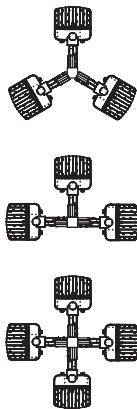
Bullhorns with Triple - 120°
P10358 MT-2.5RTBV2.5-3120/BZ
(Bullhorn with triple 2-3/8" Tenon-120°)

EPA RATING

150SW

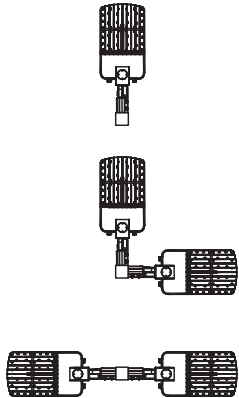


Config.	EPA
1	0.4
2 @ 90°	0.66
2 @ 180°	0.79

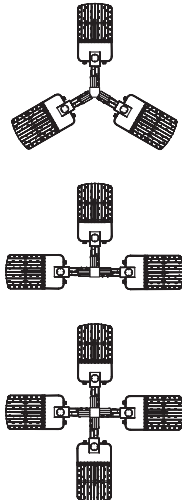


Config.	EPA
3 @ 120°	0.99
3 @ 90°	1.19
4 @ 180°	1.58

300SW



Config.	EPA
1	0.56
2 @ 90°	0.92
2 @ 180°	1.12

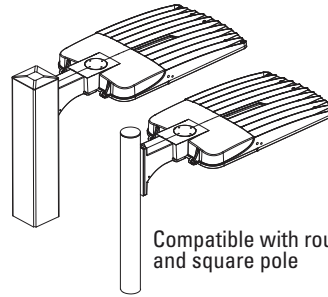


Config.	EPA
3 @ 120°	1.38
3 @ 90°	1.66
4 @ 180°	2.21

MOUNTING

8" Pole Mount Arm

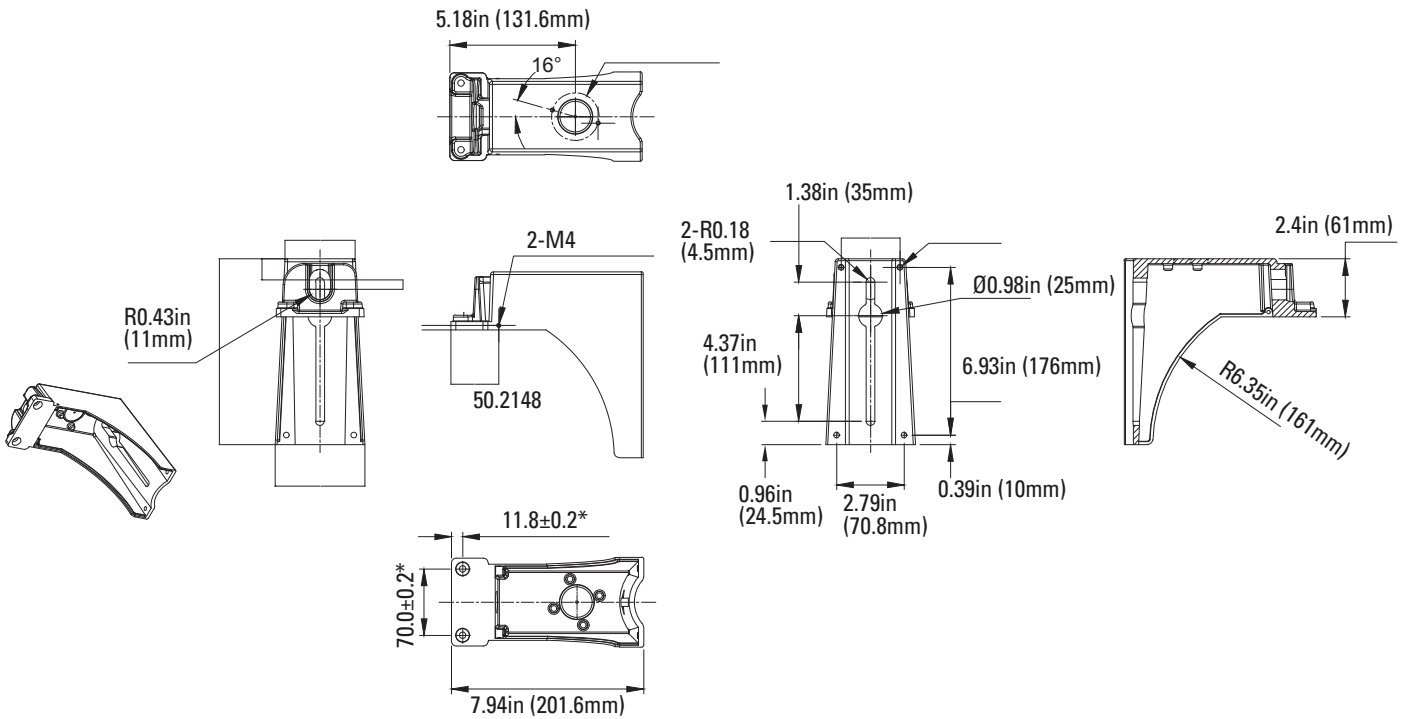
P10365 MT-CAL/PM8/BZ (Bronze)



Compatible with round and square pole



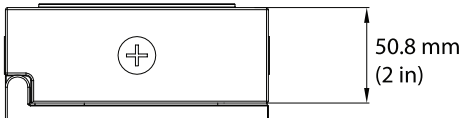
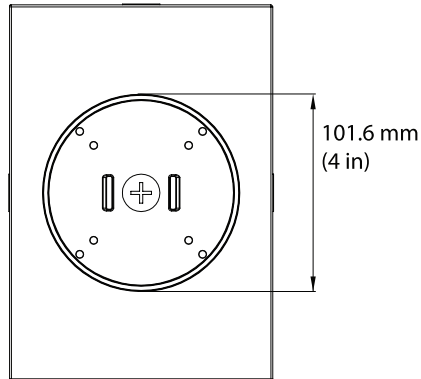
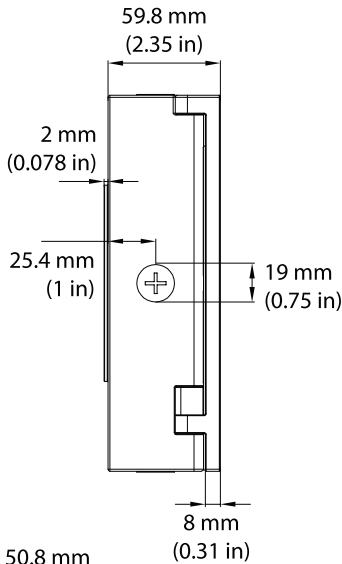
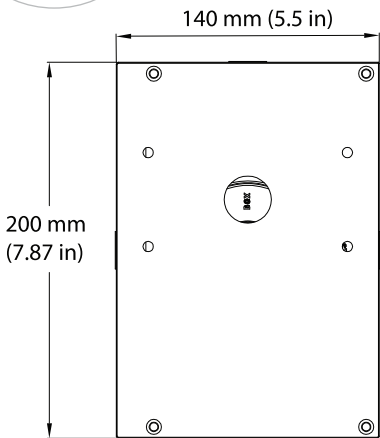
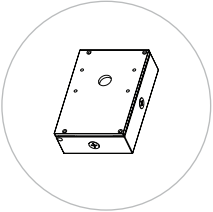
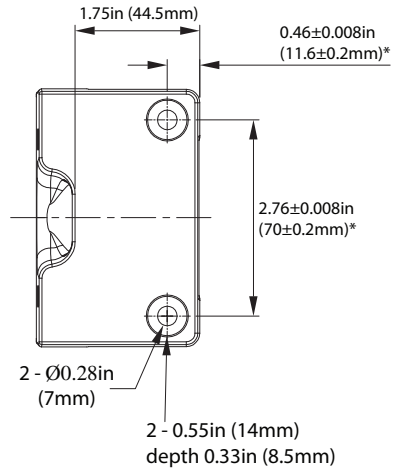
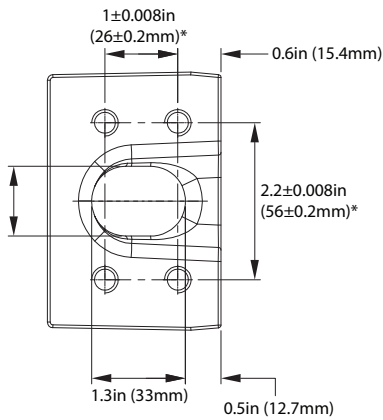
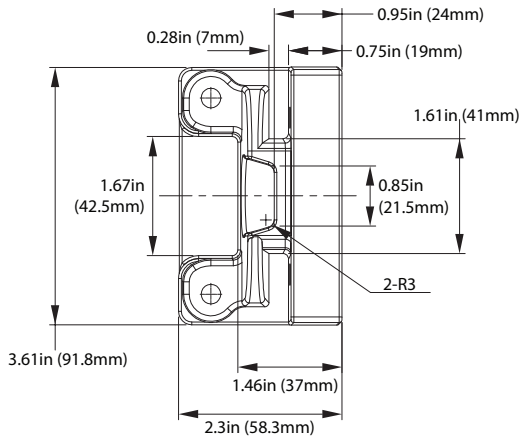
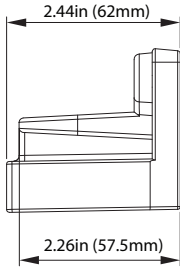
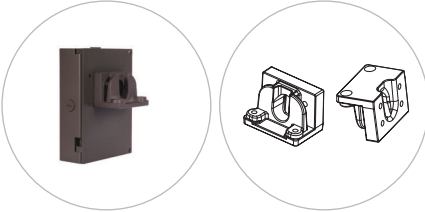
Remove gasket for round pole mounting



SCALE : 1:1	
Measure Tolerance is: ±0.15 mm, ±0.01in	

MOUNTING

Wall Mount
K473478 MT-AL/WM/BZ
(P10473 MT-AL/WM/BZ+ P10478 MT-AL/MH/BZ)



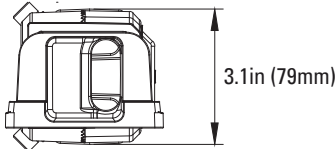
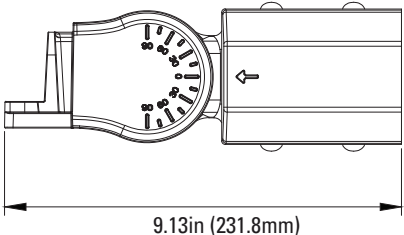
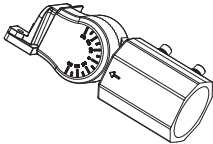
SCALE : 1:1
Measure Tolerance is: ±0.15 mm, ±0.01in
Material: Aluminium

COMPACT AREA LIGHT Z10

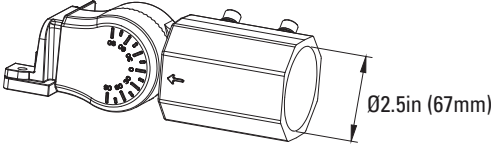
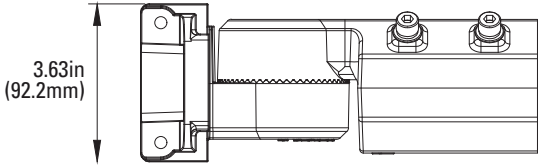
WALL & AREA LUMINAIRES

MOUNTING

Slip Fitter P10366 MT-CAL/SF/BZ

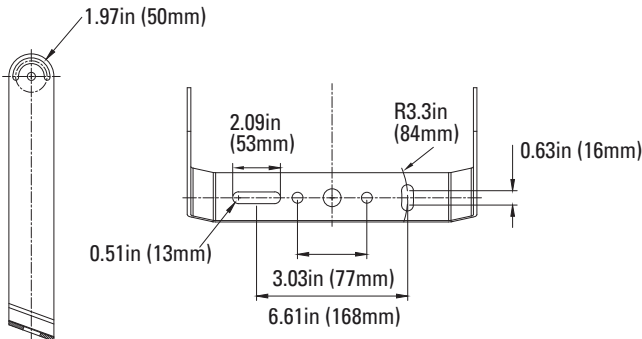
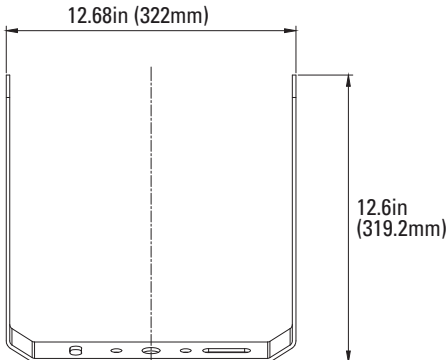
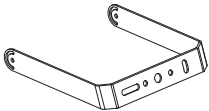


SCALE : 1:1
Measure Tolerance is: ±0.15 mm, ±0.01in



MOUNTING

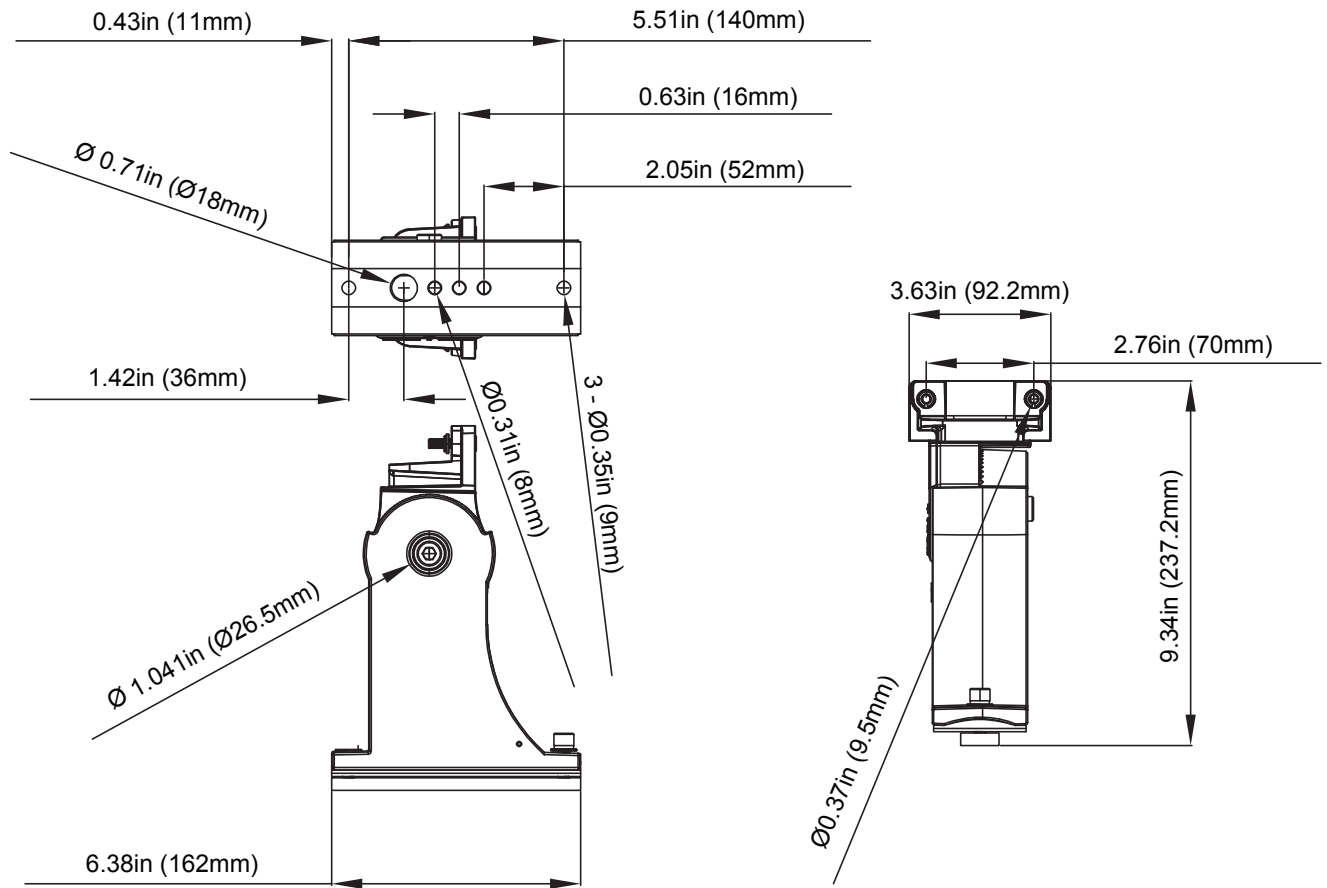
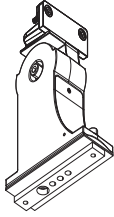
Yoke Mount P10367 MT-CAL/YK13/BZ



SCALE : 1:1
Measure Tolerance is: ±0.15 mm, ±0.01in

MOUNTING

8" Adjustable Pole Mount
P10523 MT-AL/PM8/BZ

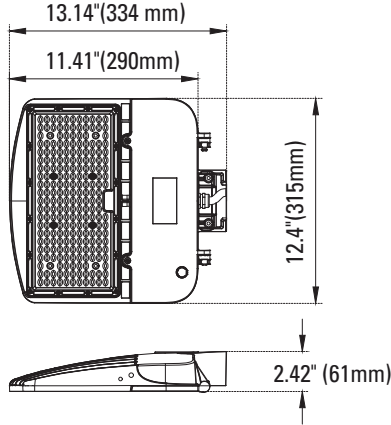


COMPACT AREA LIGHT Z10

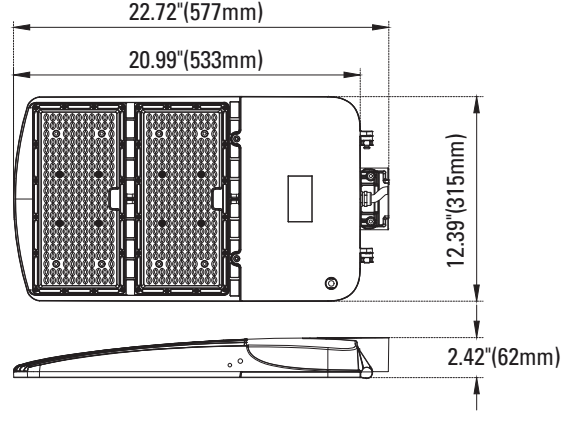
WALL & AREA LUMINAIRES

DIMENSIONS

150W
6.48-lbs



300W
10.75-lbs



PHOTOMETRICS CHART

150SW (Type 3)

DLC Premium
BUG Rating: B3-U2-G3

150SW (Type 4)

DLC Premium
BUG Rating: B3-U3-G3

150SW (Type 5)

DLC Premium
BUG Rating: B4-U3-G2

300SW (Type 3)

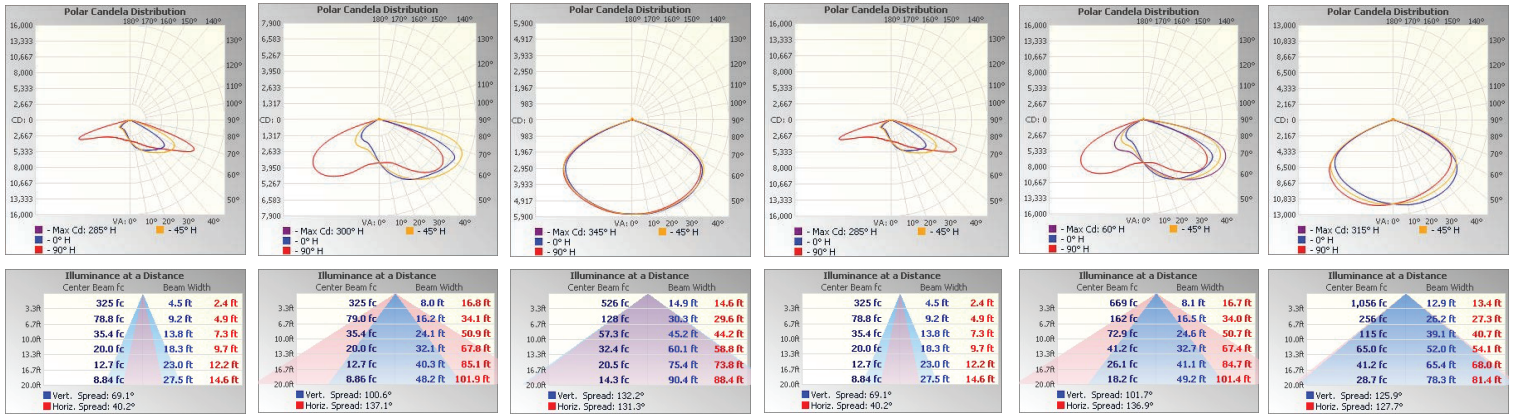
DLC Premium
BUG Rating: B3-U2-G3

300SW (Type 4)

DLC Premium
BUG Rating: B4-U4-G4

300SW (Type 5)

DLC Premium
BUG Rating: B5-U4-G2



PACKAGE

Case Qty 1 pc

