

CRL COMMERCIAL RECESSED LIGHT

DESCRIPTION

naturaLED® Commercial Recessed Light (CRL) is a commercial grade downlight fixture. This Energy Star qualified downlight is a simple way to replace incandescent and fluorescent recessed lamps. Designed as an energy efficient lighting solution for the industry's popular 6" / 8" recessed downlight fixtures. Easy installation with adjustable wattages and offering up to 2,000 lumens.

APPLICATIONS

Commercial, Kitchen, Basement, Residential, Hospitality

PROJECT:

SCHEDULE:

DATE:

PREPARE BY:

NOTES:



Rated Life 50,000 Hours
Warranty 5 Years

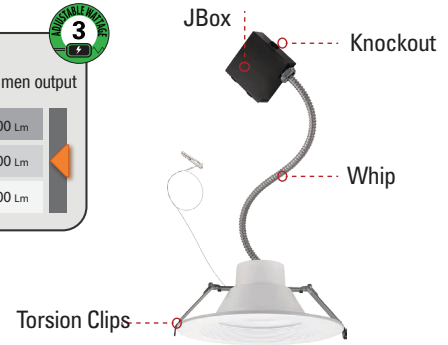
FEATURES

- Energy Star
- Wet Location
- ETL Listed
- IC Rated
- Selectable Wattages (3 Wattages)
- Color Temp: 3000K
- Voltage: 120-277V
- Powerfactor >0.9
- Beam Angle: Flood
- CRI: >90
- Operating temperature: 5°F - 104°F
- Uniform light distribution and consistent color
- Carabiner hook included for earthquake safety
- Built-in power connector with adjustable torsion clips
- Color: White
- 5 Year Warranty
- Optional for Purchase: Compatible with Pre-Mounting Plates

ACCESSORIES

- Pre-Mounting Plate - 6"
- Pre-Mounting Plate - 8"
- Pre-Mounting Plate - 3/4/6/8"

LUMEN SELECTABLE
Adjust fixture power to the desired lumen output



SAMPLE NUMBER LED6CRL21SW-150L930/MV

STYLE	DIAMETER	SERIES	WATTAGE	LUMEN	CRI	COLOR TEMP	VOLTAGE
LED	6	CRL	21SW	150L	9	30	MV
LED Lighting	6-inch	Commercial Downlight	<21W Selectable Wattage	<1,500 Lumens	CRI90	3000K	Multiple Voltage 120-277V



COMMERCIAL RECESSED LIGHT

CEILING & AREA LUMINAIRES

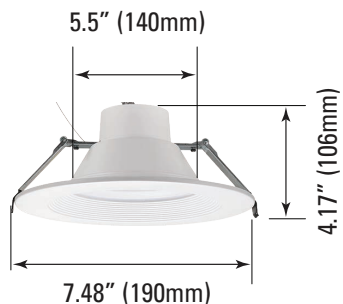
ORDERING

Watts (W)	Ordering Code	Description	CCT (K)	Lumens (Lm)	Equiv. Wattage (W)	Size	Wet Location	Energy Star
9/14/21	9352	LED6CRL21SW-150L930/MV	3000K	750/1,050/1,500	60-150	6"	•	•
12/19/27	9354	LED8CRL27SW-200L930/MV	3000K	1,000/1,500/2,000	100-200	8"	•	•

DIMENSIONS

9/14/21 (6-inch)

0.39-lbs without driver



12/19/27W (8-inch)

0.58-lbs without driver



ACCESSORIES (Ordered Separately)

Round Pre-Mounting Plate



P10309 PLT-NC/6DL
(6" Round Pre-Mounting Plate)



P10318 PLT-NC/8DL-LONG
(8" Round Pre-Mounting Long Plate)

Plate for 3/4/6/8" Disk Light



P10375 PLT-NC-DL/3-4-6-8
(Universal Plate for 3/4/6/8" Disk Light)

Emergency Driver

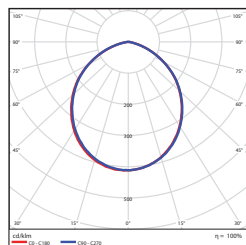
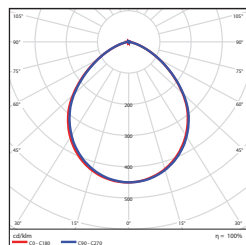


7337 BAEM25-170BC/347-C
(25W Micro Inverter 120-347 with 12" Conduit)

PHOTOMETRICS CHART

9/14/21W (6-inch) Energy Star

12/19/27W (8-inch) Energy Star



Center Beam Fc	Beam Width	
2.5R	133 fc	5.6 ft
5.0R	33.3 fc	11.2 ft
7.5R	14.8 fc	16.8 ft
10.0R	8.32 fc	22.4 ft
12.5R	5.32 fc	28.0 ft
15.0R	3.70 fc	33.5 ft

Vert. Spread: 96.4°
Horiz. Spread: 96.1°

Center Beam Fc	Beam Width	
2.5R	157 fc	6.2 ft
5.0R	39.3 fc	12.4 ft
7.5R	17.5 fc	18.5 ft
10.0R	9.82 fc	24.7 ft
12.5R	6.29 fc	30.9 ft
15.0R	4.36 fc	37.1 ft

Vert. Spread: 102.0°
Horiz. Spread: 101.8°

PACKAGE

Case Qty
5 pcs

