

CWX COMPACT CUTOFF WALL PACK

PROJECT: _____

SCHEDULE: _____ DATE: _____

PREPARE BY: _____

NOTES: _____

DESCRIPTION

naturaLED® CWX compact cutoff wallpack comes in rugged cast-aluminum housing with excellent thermal design. DLC Premium qualified, our CWX product offers a slim & compact appearance for your wall luminaires. The slim shape maintains an aesthetic appearance to replace any building's wallpack or perimeter lighting. Ideal for outdoor applications such as carports, loading areas, driveways, parking area and pathways. Designed for wall mounting above four feet from ground. New available in Wattage Selectable and Color Temperature Selectable.

APPLICATIONS

Security, Pathway, Perimeter, Entryway, Area Lighting, and building facades

FEATURES

- DLC Premium Qualified
- IP65 Rated
- ETL, cETL Listed
- Wattage & Color Selectable
- Wattage: 15-40W
- Color Temp: CCT3 (30/40/50K)
- Voltage: 120-277V
- Surge Protection: 4KV
- Dimmable: 0-10V
- CRI >80
- Operating temperature: - 40°F - 122°F
- Beam Angle: Cutoff
- Lens: Borosilicate Glass Lens
- Material: Die Cast Aluminum
- Colors: Bronze, Black, White
- Warranty: 5Year
- Optional for Purchase: Sensors, Photocell, Emergency Drivers, Remote Control



Rated Life 50,000 Hours
Warranty 5 Years

ACCESSORIES

	Microwave Sensor
	Emergency Backup Driver
	Remote Control

SAMPLE NUMBER		CWX40S/8C3/BZ-PHO		
SERIES	WATTAGE	CRI/COLOR TEMP	FINISH COLOR	ACCESSORY
CWX	40S	8C3	BZ	PHO
Compact Cutoff Wall Pack	15/28/40 Selectable Wattages	CRI 80 Selectable CCT (30/40/50K)	Bronze BK- Black WH - White	Photocell Included



COMPACT CUTOFF WALL PACK

WALL & AREA LUMINAIRES

ORDERING

*P= Premium DLC / *S = Standard DLC

Watts (W)	Ordering Code	Description	CCT (K)	Lumens (Lm)	Equiv. Wattage (W)	Color	IP65 Rated	DLC (S/P)
15	9706	CWX40S/8C3/BZ-PHO	3CCT	2,600	175-250	Bronze	•	P
28			(3000/4000/	3,640				
40			5000K)	5,200				
15	9707	CWX40S/8C3/BK-PHO	3CCT	2,600	175-250	Black	•	P
28			(3000/4000/	3,640				
40			5000K)	5,200				
15	9708	CWX40S/8C3/WH-PHO	3CCT	2,600	175-250	White	•	P
28			(3000/4000/	3,640				
40			5000K)	5,200				

ACCESSORIES (Ordered Separately)

Emergency Driver



7336 BAEM4-60BC/MV-A
(4W CEC Compliant LED Emergency Driver)

Microwave Sensor



P10540 SEN-ANT-11-WH
(Remote Programable Microwave Motion Sensor 0-10V Bi-Level Internal 12V Low Voltage)

Surge Protectors



P10389 SPD-L-10KV-277
(Single Phase Surge Protection 10KV 120-277V)



P10390 SPD-L-20KV-277
(Single Phase Surge Protection 20KV 120-277V)



P10391 SPD-L-20KV-480
(Single Phase Surge Protection 20KV 347-480V)

Motion Sensors & Remote Control



P10518 REC-Z10-WH
(Z10 Receptacle Base with the White Cap)



P10519 REC-Z10-BK
(Z10 Receptacle Base with the Black Cap)



P10521 SEN-ANT-5-Z10
(Z10 Twist-Lock Microwave Motion & Photocell Sensor, 0-10V,12-24Vdc White)



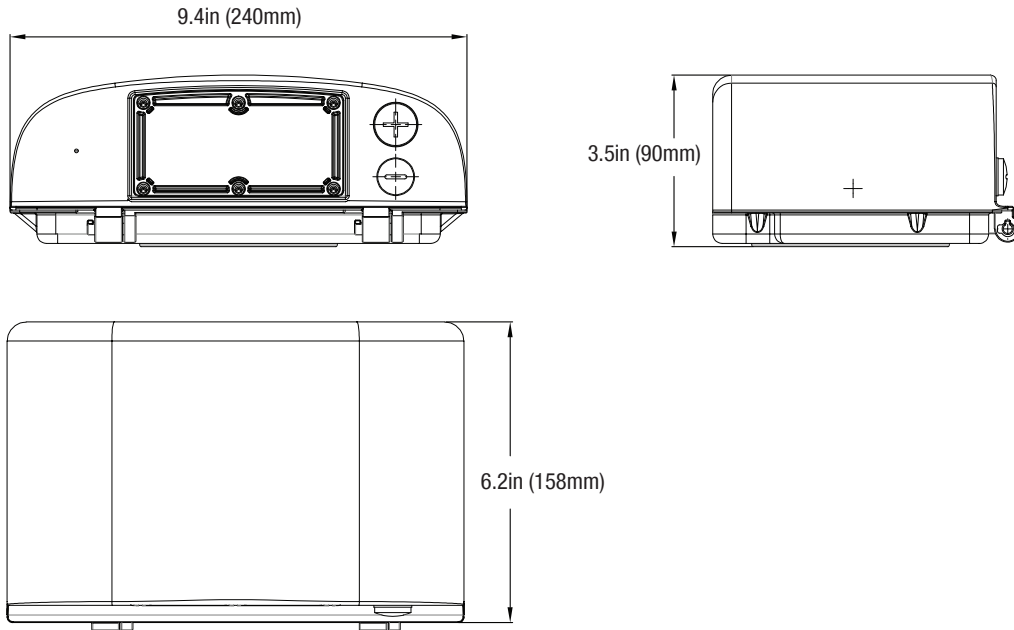
P10522 SEN-ANT-6-Z10
(Z10 Twist-Lock PIR Motion & Photocell Sensor, 0-10V,12-24Vdc White)



P10316 SEN-BRI-RC100
(Remote Programmer for P10521 and P10522)

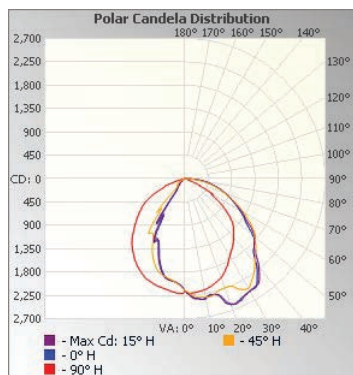
DIMENSIONS

40SW
4.63-lbs



PHOTOMETRICS CHART

40 S/Watt
DLC Premium



Illuminance at a Distance

	Center Beam fc	Beam Width	
2.5R	346 fc	4.5 ft	5.9 ft
5.0R	86.4 fc	9.1 ft	11.9 ft
7.5R	38.4 fc	13.6 ft	17.8 ft
10.0R	21.6 fc	18.1 ft	23.7 ft
12.5R	13.8 fc	22.7 ft	29.6 ft
15.0R	9.60 fc	27.2 ft	35.6 ft

■ Vert. Spread: 84.4°
■ Horiz. Spread: 99.7°

PACKAGE

Case Qty 5 pcs

