

PROJECT:	
SCHEDULE:	DATE:
PREPARE BY:	
NOTES:	

EX/ EM EMERGENCY EXIT SIGNS & LIGHT

DESCRIPTION

naturaLED® featuring Bi-Color Emergency Exit Signs and Dual Head Emergency light. Injection-molded thermoplastic ABS housing. Easy to install, long-lasting LED light with test switch and charge indicator light. UL 94V-0 flame rated with up to 2 year warranty.



APPLICATIONS

Emergency Exit, Emergency Lighting

**Rated Life 50,000 Hours
Warranty 2 Years**

FEATURES

- UL Listed
- IP22 Rated (Indoor only)
- Voltage: 120/277V
- Battery: Ni-Cad 3.6V 1000mAh
- Adjustable heads / 1.2W Per head (Dual Head)
- Operating Temperature: 32°F ~ 104°F
- Injection-molded thermoplastic ABS housing, UL 94V-0 flame rating
- Innovation, easy installation
- Suitable for wall mount & ceiling mount (Dual Head)
- Suitable for wall mount & J-Box ceiling mount, Single or double faces (for Both Emergency Exit Signs)
- Maximum 24 hours for full recharge time
- Test switch and charge indicator
- Warranty: 2 years
- Rated Life Hours: 50,000

SAMPLE NUMBER		LEDEX-GRN/RED-WH	
STYLE	TYPE	COLORS	HOUSING COLOR
LED LED Lighting	EX Emergency Exit Sign	GRN/RED Green/ Red	WH White



EMERGENCY EXIT SIGN & LIGHT

WALL LUMINAIRES

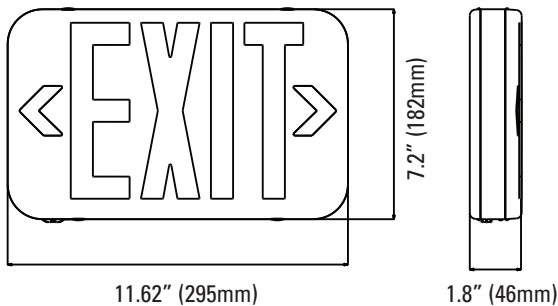
ORDERING

Watts (W)	Ordering Code	Description	Lumens	Voltage	Input Current (A)	Built-in Battery	Charing Time	Emergency Run Time
1	7521	LEDEX-GRN/RED-WH	-	120/277V	0.09A(max)	1.2V-1000mAH	24-hrs	90-min
3.5	7528	LEDEX-EMFD-GRN/RED-WH	>180	120/277V	0.031A(max)	1.2V-1000mAH	24-hrs	90-min
2	7522	LEDEM-FD-WH	240	120/277V	0.09A(max)	3.6V-1000mAH	24-hrs	90-min

DIMENSIONS

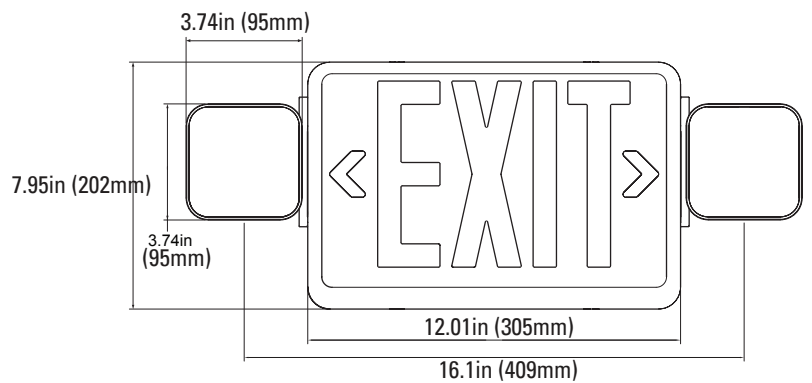
1W (EX)

Weight: 1.76-lbs

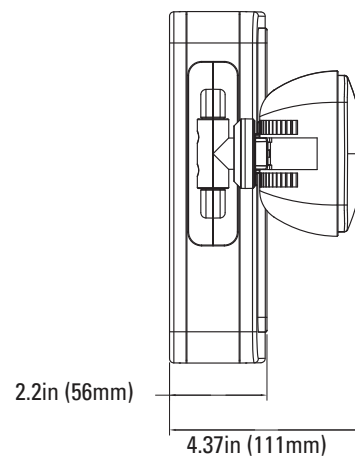
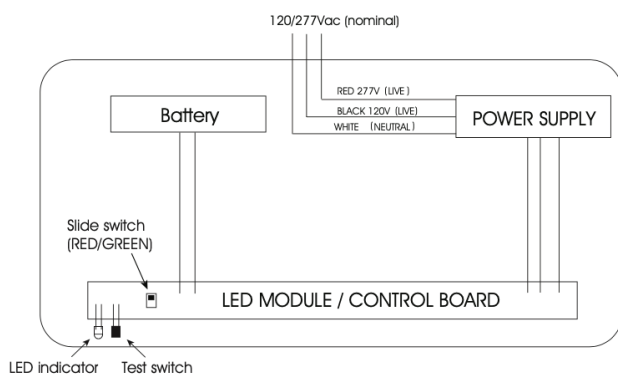


3.5W (EX)

Weight: 3.33-lbs



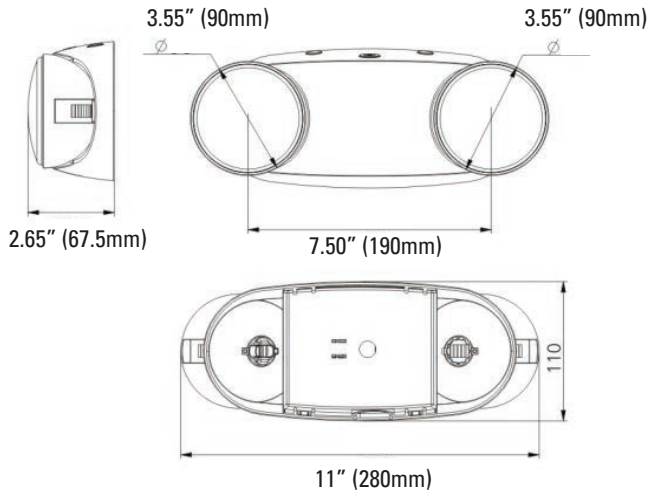
WIRING



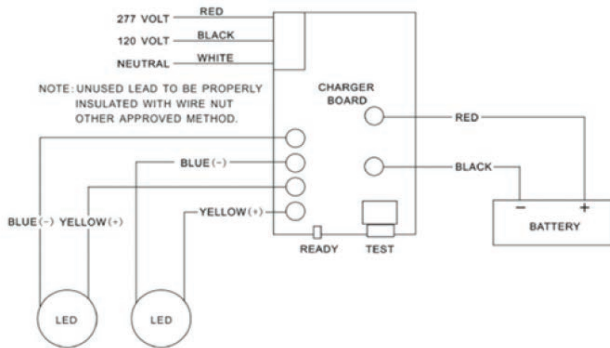
DIMENSIONS

2W (EM)

Weight: 1.00-lbs



WIRING



PACKAGE

Case Qty
6 pcs

