

FDL FLOODLIGHT

PROJECT: _____

SCHEDULE: _____ DATE: _____

PREPARE BY: _____

NOTES: _____

DESCRIPTION

naturaLED® floodlights has a flood beam distributions and replaces up to 575 watt. This product is water resistant rated at IP65. Creating bright, security and spot lighting for a variety of applications such as perimeter, entryway, facades, landscapes, retail and residential complexes and architectural lighting. Pre-installed yoke-arm design can be adjustable to the angle that best suit your needs.

APPLICATIONS

Security, Architectural, Perimeter, Entryway, Pathway, Landscape



FEATURES

- IP65 Rated
- ETL Listed
- Color Temp: 3000K, 4000K, 5000K
- Voltage: 120-277V
- Powerfactor >0.9
- Surge Protection: 10W=1KV, 50/75W=4KV
- Dimmable: 1-10V (50W/75W)
- CRI: 10W=CRI:>80, 50/75W=CRI:>70
- Operating temperature: -22°F - 131°F (10W) / -40°F - 140°F (50/75W)
- Long life LED chips
- 1/2" NPT stainless steel threaded nipple (10W)
- 3/4" NPT stainless steel threaded nipple (50W)
- Material: Aluminum die-cast/ Glass
- Color: Black
- 5 Year Warranty

ACCESSORIES



SAMPLE NUMBER LED-FXFDL10/50K/BK

STYLE	FAMILY	SERIES	WATTAGE	COLOR TEMP	COLOR
LED LED Lighting	FX Fixture	FDL Floodlight	10 10 Watt	50K 5000K	BK Black



ORDERING

Watts (W)	Ordering Code	Description	CCT (K)	Lumens (Lm)	Equiv. Wattage (W)	Dimmable	NPT	IP65 Rated
10	7789	LED-FXFDL10/30K/BK	3000K	1,284	100	-	1/2"	•
10	7761	LED-FXFDL10/50K/BK	5000K	1,284	100	-	1/2"	•
50	7783	LED-FXFDL50/66/40K/BK	4000K	6,656	250-400	1-10V	3/4"	•
50	7784	LED-FXFDL50/66/50K/BK	5000K	6,750	250-400	1-10V	3/4"	•
75	7785	LED-FXFDL75/66/40K/BK	4000K	10,008	400	1-10V	3/4"	•

ACCESSORIES (Ordered Separately)

Photocell



P10036 SEN-PHO-BT-MT/MV
(Button Photocell 120V-277 for FDL #7783 & 7784)

Slip Fitter



K209226 MT-FDL/SF
(Slip Fitter Mount for FDL #7783,7784,7785)

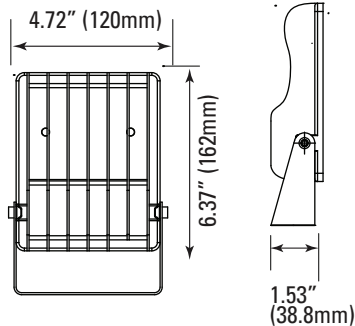
Emergency Driver



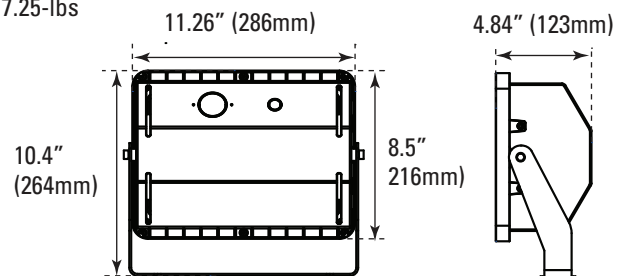
7334 BAEM15-48BC/MV-A
(15W CEC Compliant LED Emergency Driver for FDL#7783,7784,7785)

DIMENSIONS

10W
1.10-lbs



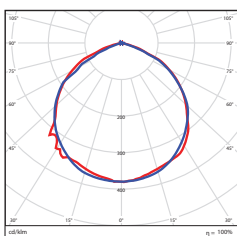
50W/75W
6.80-lbs/ 7.25-lbs



PHOTOMETRICS CHART

PACKAGE

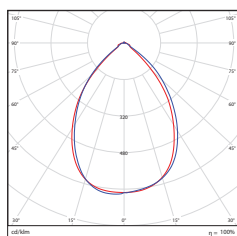
10 Watt



Center Beam fc	Beam Width
2.5R	7.2 R 7.2 R
5.0R	14.3 R 14.3 R
7.5R	21.7 R 21.5 R
10.0R	28.9 R 28.7 R
12.5R	35.2 R 35.6 R
15.0R	43.4 R 43.0 R

Vert. Spread: 110.7°
Horiz. Spread: 110.2°

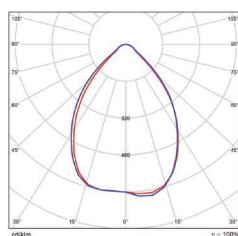
50 Watt



Center Beam fc	Beam Width
2.5R	3.0 R 3.9 R
5.0R	7.5 R 7.8 R
7.5R	11.3 R 11.7 R
10.0R	15.1 R 15.6 R
12.5R	18.9 R 19.6 R
15.0R	22.6 R 23.5 R

Vert. Spread: 74.1°
Horiz. Spread: 76.1°

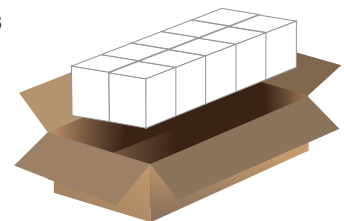
75 Watt



Center Beam fc	Beam Width
2.5R	1.046 R 3.7 R
5.0R	2.61 R 7.3 R
7.5R	11.6 R 11.0 R
10.0R	65.4 R 14.6 R
12.5R	41.0 R 18.3 R
15.0R	29.0 R 22.0 R

Vert. Spread: 72.4°
Horiz. Spread: 77.3°

Case Qty 10 pcs
(10 Watt)



Case Qty 1 pc
(50 Watt/75Watt)

