

## HBL HIGH BAY LINEAR IP66

PROJECT: \_\_\_\_\_

SCHEDULE: \_\_\_\_\_ DATE: \_\_\_\_\_

PREPARE BY: \_\_\_\_\_

NOTES: \_\_\_\_\_

### DESCRIPTION

naturaLED® High-Bay Linear IP66 (HBL66) These luminaires are low profile, durable and efficient for high ceiling applications with an IP66 rating. This new design allows us to optimize all the beneficial characteristics of LED light in a high-performance fixture that will endure many years of service in inclement conditions. These Linear High Bays are extremely durable, yet lightweight, with excellent thermal design. A yoke mount is an available option for surface and pendant mounting and wire guard protection at an additional cost. Our Linear HighBay is IP66 rated to protect against dust and low-pressure water jets for facilities that may have these conditions. Perfect for applications such as warehouses, distribution centers, manufacturing facilities and factories. This product is a hybrid crossover, which makes it an excellent fixture for new construction and/or as a replacement solution for your existing Low/High Bay needs.



**Rated Life Hours 50,000**  
**Warranty 5 Years**




### APPLICATIONS

Retail, Warehouse, Gymnasium, Industrial Facility

### FEATURES

- IP66 Rated
- UL Rated
- Designed for operation in commercial warehouses
- Uniform and consistent color
- Lighter weight housing for easy installation
- Material: Aluminum
- Lens: UV resistant coated PC
- Input line voltage: 120-277V
- Dimmable: 1-10V
- Power Factor : >0.9
- Surge Protection: 12KV
- CRI: >80
- Beam Angle: 110°
- Color Temp: 5000K
- Operating temperature: - 40°F - 140°F

### ACCESSORIES

	Yoke Mount
	Photocell Sensor
	Remote Controller

**SAMPLE NUMBER** LED-FXHBL75/22FR/850/IP66

STYLE	FAMILY	SERIES	WATTAGE	LENGTH/LENS	CRI/COLOR TEMP	RATING
LED	FX Fixture	HBL High Bay Linear	75 75W	22FR 22" length Frosted Lens	850 CRI 80 5000K	IP66 IP66 Rating



## ORDERING

Watts (W)	Ordering Code	Description	CCT (K)	Lumens (Lm)	Size	Equiv. Wattage (W)	IP66 Rated
75	<b>7715</b>	LED-FXHBL75/22FR/850/IP66	5000K	10,000	16"x22"	250	•
100	<b>7717</b>	LED-FXHBL100/22FR/850/IP66	5000K	13,000	16"x22"	400	•

## ACCESSORIES (Ordered Separately)



**Yoke Mount**  
P10092 MT-YK-HBL22  
(Yoke Mount with 3/4" NPT for Pendant Application)



**Motion/Photocell Sensor**  
P10153 SEN-LRD-609-SAC  
(Remote Programmer PIR Motion Sensor 0-10V Bi Level External 100-277 IP66)

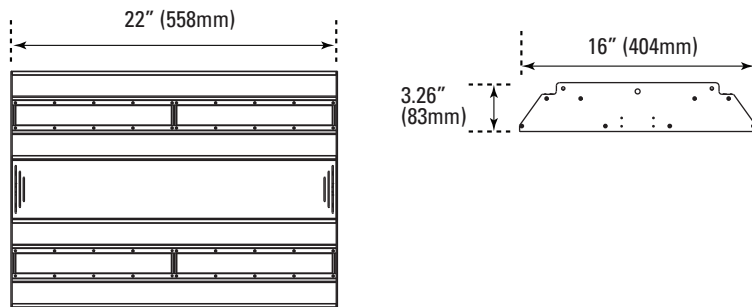


**Remote Controller**  
P10164 SEN-SRP280  
(Remote Programmer for P10153)

## DIMENSIONS

**16"x22" - 75 Watt**  
10.5-lbs

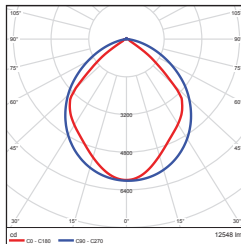
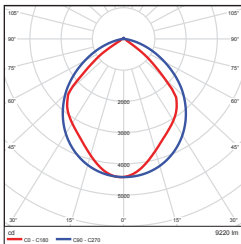
**16"x22" - 100 Watt**  
10.5-lbs



## PHOTOMETRICS CHART

**16"x 22" - 75 Watt**

**16"x 22" - 100 Watt**



**Illuminance at a Distance**

Center Beam (f)	Beam Width (f)
5.0ft: 177 fc	10.2 ft: 12.6 ft
10.0ft: 44.2 fc	20.4 ft: 25.1 ft
15.0ft: 19.7 fc	30.5 ft: 37.7 ft
20.0ft: 11.1 fc	40.7 ft: 50.2 ft
25.0ft: 7.07 fc	50.9 ft: 62.8 ft
30.0ft: 4.91 fc	61.1 ft: 75.3 ft

■ Vert. Spread: 91.0°  
■ Horiz. Spread: 102.3°

**Illuminance at a Distance**

Center Beam (f)	Beam Width (f)
5.0ft: 239 fc	10.2 ft: 12.6 ft
10.0ft: 59.9 fc	20.4 ft: 25.3 ft
15.0ft: 26.0 fc	30.6 ft: 37.9 ft
20.0ft: 15.0 fc	40.7 ft: 50.5 ft
25.0ft: 9.59 fc	50.9 ft: 63.1 ft
30.0ft: 6.65 fc	61.1 ft: 75.8 ft

■ Vert. Spread: 91.1°  
■ Horiz. Spread: 103.2°

## PACKAGE

Case Qty 1 pc

