

## HBL LINEAR HIGHBAY

PROJECT: \_\_\_\_\_

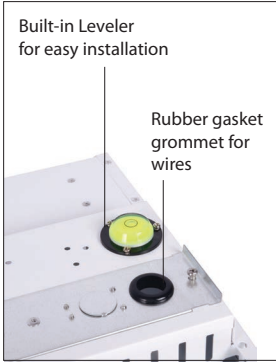
SCHEDULE: \_\_\_\_\_ DATE: \_\_\_\_\_

PREPARE BY: \_\_\_\_\_

NOTES: \_\_\_\_\_

### DESCRIPTION

naturaLED® offers the perfect solution for your lighting needs with our Linear High/Low Bay. This new design allows us to optimize all the beneficial characteristics of LED light in a high-performance fixture that will endure many years of service. These Linear High Bays are extremely durable, yet lightweight, with excellent thermal design. They are available in a variety of wattages, delivering up to 42,441 lumens of consistent color and light distribution. Chain with a lock link is included for mounting. Yoke and Pendant Mounts are available as option at additional cost. our HBL makes an excellent fixture for new construction and/or as a replacement solution for your existing High/Low Bays needs.



**Rated Life 50,000 Hours**  
**Warranty 5 Year Limited\***

### APPLICATIONS

Warehouses, Offices, Factories, Hospitals, Hotels

### FEATURES

- DLC Premium
- Damp Location
- ETL Listed
- Color Temp: 4000K, 5000K
- Voltage: 120-277V, 120-347V
- Powerfactor >0.9
- Surge Protection: 4KV
- Beam Angle: 110°
- Dimmable: 0-10V
- CRI: >80
- Operating temperature: - 22°F - 122°F
- Built-in leveler
- Minimum glare with diffused polycarbonate lens
- Dimensions: 16" x 22", 16" x 44"
- 5 Year Limited Warranty\*
- Color: White
- Optional for Purchase: Emergency Driver, Motion Sensor, Wireless Controller, Yoke Mount, Pendant Mount, Wireguard

### ACCESSORIES

- Emergency Driver
- Bluetooth Controller
- Motion Sensor
- Wire Guard
- Yoke Mount
- Pendant Mount
- Surge Protector

**SAMPLE NUMBER** FXHBL100/22FR/840/347

FAMILY	SERIES	WATTAGE	Length	Lens	CR/COLOR TEMP	VOLTAGE
FX	HBL	100	22	FR	840	347
Fixture	High Bay Linear	100 Watt	22- 22inch 44- 44inch	Frosted	CRI 80 4000K	347V (none) 120-277V



\*Extended 10 year limited warranty available. Contact your sales rep for more information

# LINEAR HIGHBAY

## CEILING & AREA LUMINAIRES

### ORDERING

\*P= Premium DLC / \*S = Standard DLC

	Watts (W)	Ordering Code	Description	CCT (K)	Lumens (Lm)	Equiv. Wattage (W)	Length	Voltage	DLC (S/P)
120-277V	100	<b>9477</b>	FXHBL100/22FR/850	5000K	14,093	400	16 x 22"	120-277	P
	150	<b>9478</b>	FXHBL150/22FR/840	4000K	20,702	400-575	16 x 22"	120-277	P
	150	<b>9501</b>	FXHBL150/44FR/850	5000K	21,127	400-575	16 x 44"	120-277	P
	210	<b>9480</b>	FXHBL210/22FR/840	4000K	27,622	575-1000	16 x 22"	120-277	P
	210	<b>9502</b>	FXHBL210/44FR/840	4000K	27,698	575-1000	16 x 44"	120-277	P
	300	<b>9483</b>	FXHBL300/44FR/850	5000K	42,441	1000-1250	16 x 44"	120-277	P
120-347V	100	<b>9484</b>	FXHBL100/22FR/840/347	4000K	13,428	400	16 x 22"	120-347	P
	100	<b>9485</b>	FXHBL100/22FR/850/347	5000K	13,777	400	16 x 22"	120-347	P
	210	<b>9488</b>	FXHBL210/22FR/840/347	4000K	27,778	575-1000	16 x 22"	120-347	P
	210	<b>9489</b>	FXHBL210/22FR/850/347	5000K	28,445	575-1000	16 x 22"	120-347	P
	300	<b>9491</b>	FXHBL300/44FR/850/347	5000K	41,490	1000-1250	16 x 44"	120-347	P

ACCESSORIES (Ordered Separately)



**Emergency Driver**  
7334 BAEM15-48BC/MV-A  
(15W LED Emergency Driver  
120-277V)



7337 BAEM25-170BC/347-C  
(25W Micro Inverter 120-347V  
with 12" Conduit)



**Wire Guard**  
P10094 WG-HBL22/WH  
(Wire guard 16"x22")

P10095 WG-HBL44/WH  
(Wire guard 16"x44")



**Yoke Mount**  
P10092 MT-YK-HBL22  
(Yoke Mount 16"x22")

P10093 MT-YK-HBL44  
(Yoke Mount 16"x44")



**Motion Sensor & Remote Control**  
P10316 SEN-BRI-RC100  
(Remote Programmer for P10371)



P10371 SEN-BRI619  
**(Recommended Height up to 40-ft)**  
(Remote/Dipswitch Programmable PIR Motion Sensor  
0-10V Bi-Level Internal 12V-24V Low Voltage)



**Pendant Mount (3/4" NPT)**  
P10396 ADP-PM-HBL/WH



**Sensor Aisle Lens (Recommended Height up to 30-ft)**  
P10086 SEN-LOS-509-SFG  
(PIR Motion Sensor On-Off Internal 100-277V Aisle Lens)



**Sensor Area Lens (Recommended Height up to 30-ft)**  
P10087 SEN-LOS-509-SFC  
(PIR Motion Sensor On-Off Internal 100-277V 3X Area Lens)



**Surge Protector**  
P10389 SPD-L-10KV-277  
(Surge Protection 10KV 120-277V)



P10390 SPD-L-20KV-277  
(Surge Protection 20KV 120-277V)



P10391 SPD-L-20KV-480  
(Surge Protection 20KV 347-480V)



**Remote Programmer**  
P10164 SEN-SRP280  
(Remote Programmer for Sensor P10162 and P10163)



**Sensor Aisle Lens (Recommended Height up to 30-ft)**  
P10162 SEN-LRD-509-SFG  
(Remote Programmable PIR Motion Sensor  
0-10V Bi-Level Internal 120-277V Aisle Lens )



**Sensor Area Lens (Recommended Height up to 30-ft)**  
P10163 SEN-LRD-509-SFC  
(Remote Programmable PIR Motion Sensor  
0-10V Bi-Level Internal 120-277V 3X Area Lens)



**Remote Programmer**  
P10259 SEN-ON-SRP281  
(Remote Programmer for Linkable Sensor  
P10256, P10257 )



**Remote Wall Switch Linkable Sensor**  
P10260 SWCH-ON-PBD-705  
(Remote Programmer Wall Switch for  
Linkable Sensor P10256, P10257)



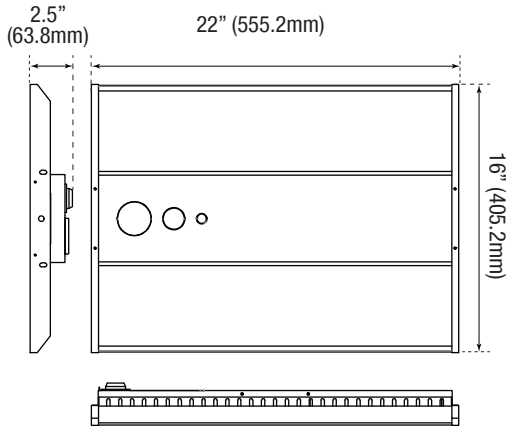
**Sensor Aisle Lens (Recommended Height up to 30-ft)**  
P10256 SEN-ON-LRD-509-SFG  
(Remote Programmable PIR Linkable Sensor  
0-10V Bi-Level Internal 120-277V Aisle Lens )



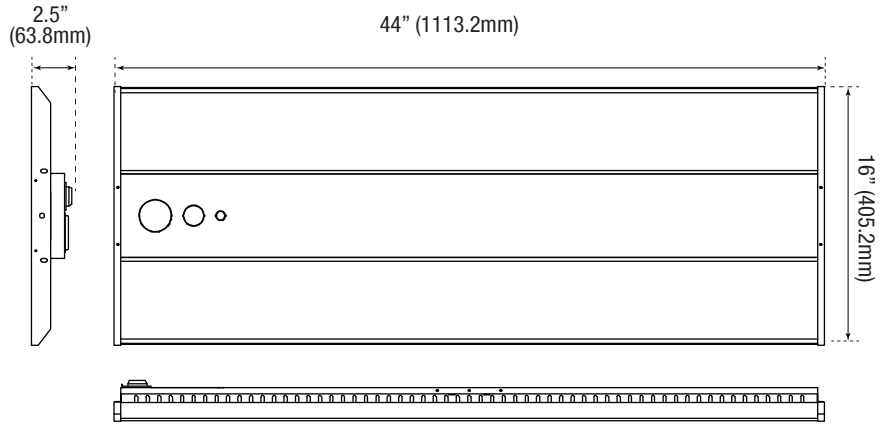
**Sensor Area Lens (Recommended Height up to 30-ft)**  
P10257 SEN-ON-LRD-509-SFC  
(Remote Programmable PIR Linkable Sensor  
0-10V Bi-Level Internal 120-277V 3X Area Lens)

DIMENSIONS

**100W** 10.03-lbs  
**150W** 10.03-lbs  
**210W** 10.03-lbs

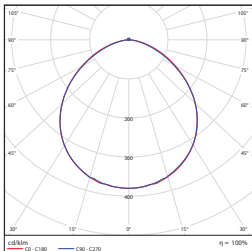


**150W** 17.77-lbs  
**210W** 17.77-lbs  
**300W** 17.77-lbs



PHOTOMETRICS CHART

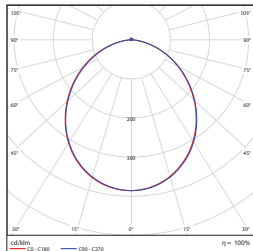
**100 Watt**  
DLC Premium



Center Beam fc	Beam Width	
4.3R	282 fc	11.4 ft 11.4 ft
8.7R	68.9 fc	23.1 ft 23.1 ft
13.0R	30.9 fc	34.5 ft 34.5 ft
17.3R	17.4 fc	46.0 ft 45.9 ft
21.7R	11.1 fc	57.6 ft 57.6 ft
26.0R	7.72 fc	69.1 ft 69.0 ft

■ Vert. Spread: 106.1°  
■ Horiz. Spread: 106.0°

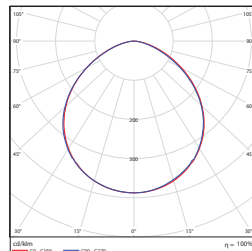
**150 Watt**  
DLC Premium



Center Beam fc	Beam Width	
4.3R	432 fc	10.8 ft 10.8 ft
8.7R	106 fc	21.9 ft 21.8 ft
13.0R	47.3 fc	32.7 ft 32.6 ft
17.3R	26.7 fc	43.5 ft 43.4 ft
21.7R	17.0 fc	54.6 ft 54.5 ft
26.0R	11.8 fc	65.4 ft 65.3 ft

■ Vert. Spread: 103.0°  
■ Horiz. Spread: 102.9°

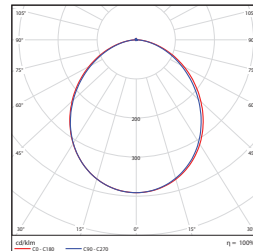
**210 Watt**  
DLC Premium



Center Beam fc	Beam Width	
4.3R	579 fc	11.4 ft 11.4 ft
8.7R	141 fc	23.2 ft 23.0 ft
13.0R	63.3 fc	34.6 ft 34.4 ft
17.3R	35.8 fc	46.0 ft 45.8 ft
21.7R	22.7 fc	57.8 ft 57.4 ft
26.0R	15.8 fc	69.2 ft 68.8 ft

■ Vert. Spread: 106.2°  
■ Horiz. Spread: 105.9°

**300 Watt**  
DLC Premium



Center Beam fc	Beam Width	
4.3R	875 fc	10.8 ft 10.4 ft
8.7R	214 fc	21.9 ft 21.0 ft
13.0R	95.7 fc	32.8 ft 31.3 ft
17.3R	54.0 fc	43.6 ft 41.7 ft
21.7R	34.4 fc	54.7 ft 52.3 ft
26.0R	23.9 fc	65.5 ft 62.7 ft

■ Vert. Spread: 103.1°  
■ Horiz. Spread: 100.7°

PACKAGE

Case Qty 1 pc

