

## HBR HIGH BAY ROUND

### DESCRIPTION

naturaLED® Round HighBay luminaire is uniquely designed for a wide variety of applications and mounting heights. Designed to maximize thermal performance with multiple lumens and color temperatures ideally fit for wide range of applications. Such as industrial, commercial, manufacturing, gymnasium, and other applications that utilize traditional HID and linear fluorescent high bays. Our round high bay lighting system can deliver up to 70% energy savings with three easy installation methods. Our bracket design allows flexibility of installing by hook, pendant, or bracket.

### APPLICATIONS

Retail, Warehouse, Gymnasium, Industrial Facility, Architectural, Commercial Lighting

### FEATURES

- Damp Location
- ETL Listed
- Color Temp: 4000K, 5000K
- Voltage: 120-277V
- Power Factor: >0.9
- Surge Protection: 4KV
- Beam Angle: 90°
- Dimmable: 1-10V
- CRI: >80
- Operating temperature: - 22°F - 122°F
- Designed for operation in commercial warehouses
- Lightweight housing for easy installation
- Diameter: 16"
- Built-in snap-lock hook
- Material: Aluminum construction
- 5Year Warranty
- Optional for Purchase: Motion Sensor, Emergency Driver

PROJECT: \_\_\_\_\_

SCHEDULE: \_\_\_\_\_ DATE: \_\_\_\_\_

PREPARE BY: \_\_\_\_\_

NOTES: \_\_\_\_\_



**Rated Life Hours 50,000**  
**Warranty 5 Years**

### ACCESSORIES

-  Microwave Sensor
-  Emergency Driver

**SAMPLE NUMBER** LED-FX16HBR75/90/840

STYLE	FAMILY	DIAMETER	SERIES	WATTAGE	BEAM ANGLE	CRI	COLOR TEMP
LED	FX	16	HBR	75	90	8	40
LED Lighting	Fixture	16-inch	High Bay Round	75 Watt	90°	CRI 80	4000K



## ORDERING

Watts (W)	Ordering Code	Description	CCT (K)	Lumens (Lm)	Diameter	Equiv. Wattage (W)	Damp Location
75	<b>7695</b>	LED-FX16HBR75/90/850	5000K	10,000	16-inch	250	•
100	<b>7696</b>	LED-FX16HBR100/90/840	4000K	14,461	16-inch	400	•

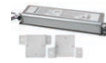
## ACCESSORIES (Ordered Separately)

### Microwave Sensor



K150148 PLT/HBR/MC31  
(Microwave Sensor for Round High Bay)

### Emergency Driver

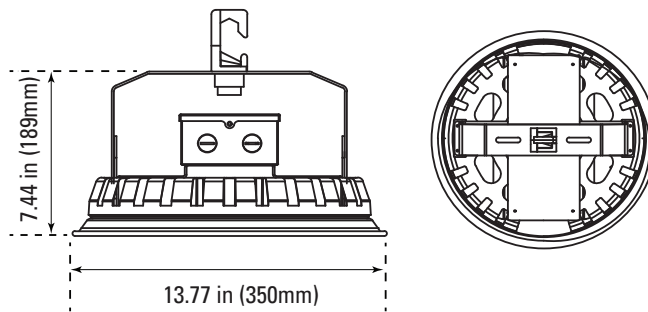


K7333160 FXHBR-BAEM-MT  
(LED Driver 120-277V for Round High Bay)

## DIMENSIONS

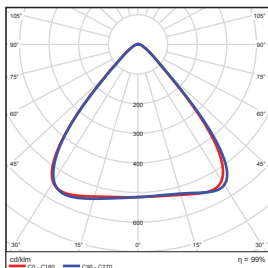
**16" - 75 Watt**  
8.5-lbs

**16" - 100 Watt**  
8.9-lbs



## PHOTOMETRICS CHART

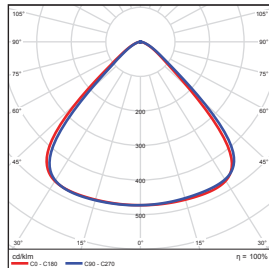
**16" - 75 Watt**



Distance	Illuminance at a Distance	
	Center Beam f.c.	Beam Width
5.0ft	206 fc	7.8 ft 7.3 ft
10.0ft	51.6 fc	15.5 ft 14.7 ft
15.0ft	22.9 fc	23.3 ft 22.0 ft
20.0ft	12.9 fc	31.0 ft 29.4 ft
25.0ft	8.26 fc	38.8 ft 36.7 ft
30.0ft	5.73 fc	46.6 ft 44.1 ft

■ Vert. Spread: 75.0°  
■ Horiz. Spread: 72.6°

**16" - 100 Watt**



Distance	Illuminance at a Distance	
	Center Beam f.c.	Beam Width
5.0ft	271 fc	10.0 ft 8.8 ft
10.0ft	67.7 fc	19.9 ft 17.7 ft
15.0ft	30.1 fc	29.9 ft 26.5 ft
20.0ft	16.9 fc	39.9 ft 35.3 ft
25.0ft	10.8 fc	49.8 ft 44.2 ft
30.0ft	7.52 fc	59.8 ft 53.0 ft

■ Vert. Spread: 69.0°  
■ Horiz. Spread: 82.9°

## PACKAGE

Case Qty 1 pc

