

**PNL** **FLAT PANEL 3CCT**

**PROJECT:** \_\_\_\_\_

**SCHEDULE:** \_\_\_\_\_ **DATE:** \_\_\_\_\_

**PREPARE BY:** \_\_\_\_\_

**NOTES:** \_\_\_\_\_

### DESCRIPTION

naturaLED® features qualified DLC Back-Lit Flat Panels (PNL), an integrated LED technology with a low profile design and CCT selectable (3500K, 4000K, 5000K) and comes with additional 12V output for your control and accessories needs. This lightweight LED provides a smooth and uniform light distribution from edge-to-edge for an even and consistent color design. Perfect solution for your interior lighting needs for offices, schools, and meeting rooms. The Back-Lit Flat Panels are easily installed with maximum energy savings; comes in standard configurations of 2'x2', and 2'x4' for mounting in T-Bar/Grid ceilings or optional surface mount box kit.



**Rated Life Hours 50,000**  
**Warranty 5 Years**

### APPLICATIONS

Conference room, meeting rooms, offices, schools, hospitals

### FEATURES

- DLC Standard
- Damp Location
- ETL Listed
- Selectable Color Temp 3CCT (3500K, 4000K, 5000K)
- Voltage: 120-277V
- Power Factor: >0.9
- Surge Protection: 2.5KV
- Beam Angle: 115°
- Dimmable: 0-10V
- CRI: >80
- Operating temperature: - 4°F - 104°F
- Lighter weight housing for easy installation
- Uniform and consistent color from edge to edge
- 5 Year Warranty
- Optional for Purchase: Ceiling Mount Box, Flange Mount Kit, Emergency Driver

### ACCESSORIES

- Ceiling Mount Box
- Flange Mount Kit
- Emergency LED Driver + Bracket
- Earthquake Hook (Pre-installed)

**CCT SELECTABLE**  
Select Color Temperature by the color switch

**SAMPLE NUMBER** **FXPNL23/2X2/8CCT3**

FAMILY	SERIES	WATTAGE	SIZE	CRI	COLOR TEMP
FX Fixture	PNL Flat Panel Light	23 23 Watt	2X2 2ft x 2ft	8 CRI 80	CCT3 Selectable 3500K, 4000K, 5000K



# BACK-LIT FLAT PANEL CCT3

CEILING & AREA LUMINAIRES

## ORDERING

\*P= Premium DLC / \*S = Standard DLC

Watts (W)	Ordering Code	Description	CCT (K)	Lumens (Lm)	Size	Equiv. Wattage (W)	Beam Angle	DLC (S/P)
40	<b>9462</b>	FXPNL40/1X4/8CCT3	3CCT (35/40/50K)	4,480	1'x4'	90-100	115°	<b>S</b>
23	<b>7526</b>	FXPNL38SW/2X2/8CCT3	3CCT (35/40/50K)	2,714	2'x2'	90-100	115°	<b>S</b>
29				3,335				
38				4,180				
28	<b>7527</b>	FXPNL46SW/2X4/8CCT3	3CCT (35/40/50K)	3,360	2'x4'	120-130	115°	<b>S</b>
39				4,524				
46				5,280				
23	<b>9665</b>	FXPNL23/2X2/8CCT3	3CCT (35/40/50K)	2,714	2'x2'	90-100	115°	<b>S</b>
29	<b>9666</b>	FXPNL29/2X2/8CCT3	3CCT (35/40/50K)	3,335	2'x2'	90-100	115°	<b>S</b>
28	<b>9667</b>	FXPNL28/2X4/8CCT3	3CCT (35/40/50K)	3,360	2'x4'	120-130	115°	<b>S</b>
39	<b>9668</b>	FXPNL39/2X4/8CCT3	3CCT (35/40/50K)	4,524	2'x4'	120-130	115°	<b>S</b>

## ACCESSORIES (Ordered Separately)

### Ceiling Mount Kit (4.5" Height)



P10334 MT-1X4BOX-4.5in  
(1'x4' Panel Surface Mount Kit)



P10335 MT-2X2BOX-4.5in  
(2'x2' Panel Surface Mount Kit)



P10336 MT-2X4BOX-4.5in  
(2'x4' Panel Surface Mount Kit)

### Flange Mount Kit



P10314 MT-1X4FMBOX  
(1'x4' Flange Mount Kit)



P10228 MT-2X2FMBOX  
(2'x2' Flange Mount Kit)



P10229 MT-2x4FMBOX  
(2'x4' Flange Mount Kit)

### Ceiling Mount Kit (3.0" Height)



P10416 MT-1X4BOX-3.0in  
(1'x4' Panel Surface Mount Kit-3.0"height)



P10417 MT-2X2BOX-3.0in  
(2'x2' Panel Surface Mount Kit-3.0"height)



P10418 MT-2X4BOX-3.0in  
(2'x4' Panel Surface Mount Kit-3.0"height)

### LED Panel Emergency Driver (Back-Lit) 120-277V



K7338333 FXPNL-BAEM-MT1FT-BLP/347  
(Emergency backup driver mount KIT for 1'x4')



7338 BAEM8L-60BC/347-A  
(Emergency backup driver for 2'x2' & 2'x4')

### Ceiling Mount Kit (2.25" Height)



P10588 MT-2x2BOX-2.25in  
(2'x2' Panel Surface Mount Kit-2.25"height)



P10589 MT-2x4BOX-2.25in  
(2'x4' Panel Surface Mount Kit-2.25"height)

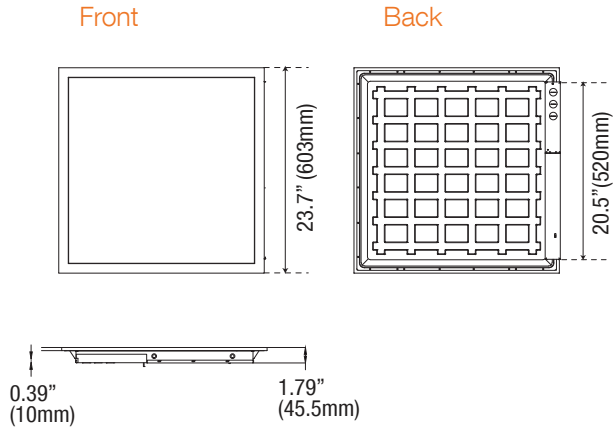
### Micro Inverter 120-347V



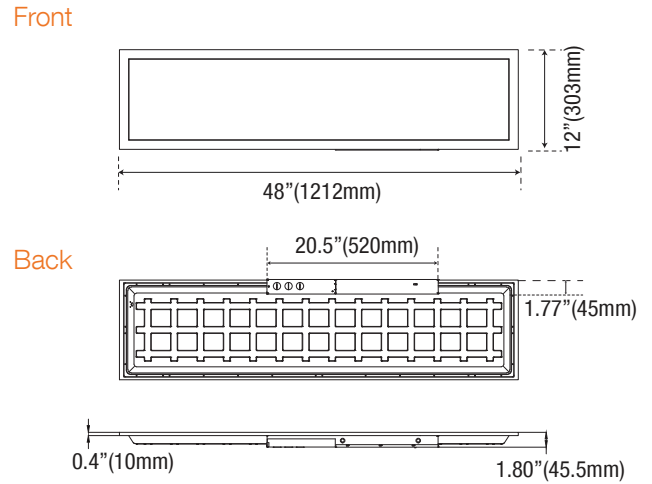
7337 BAEM25-170BC/347-C  
(25W Micro Inverter 120-347 w/12" Conduit)  
Field Installation

**DIMENSIONS**

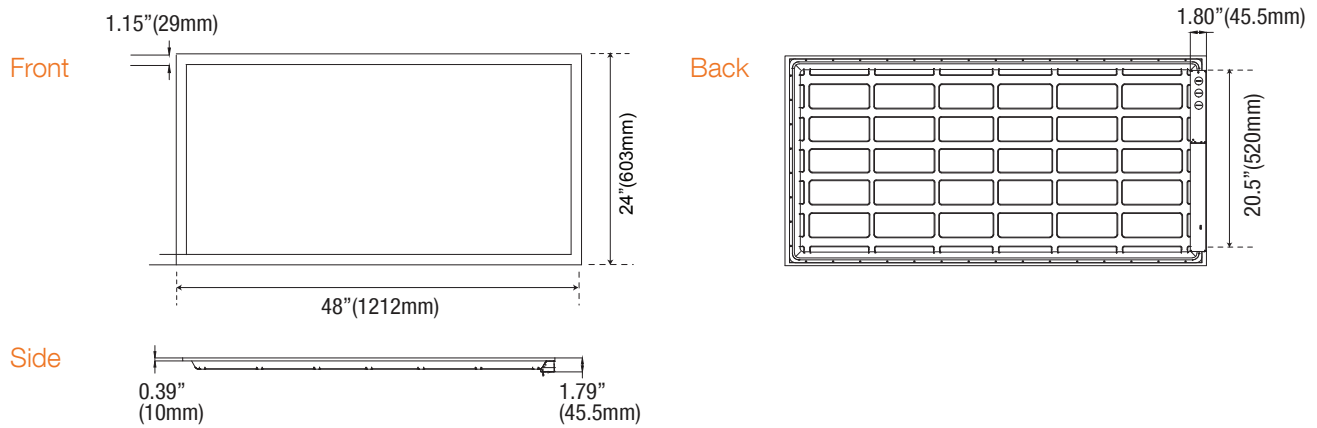
**2'x 2'**



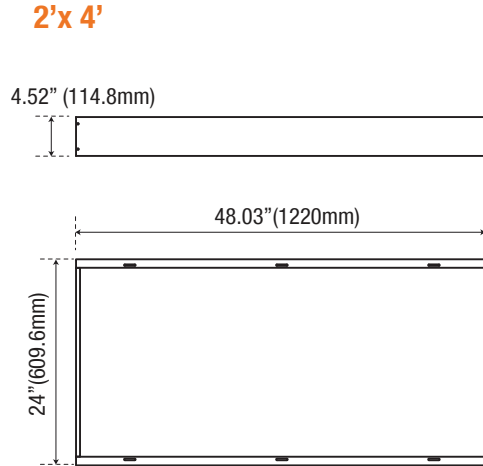
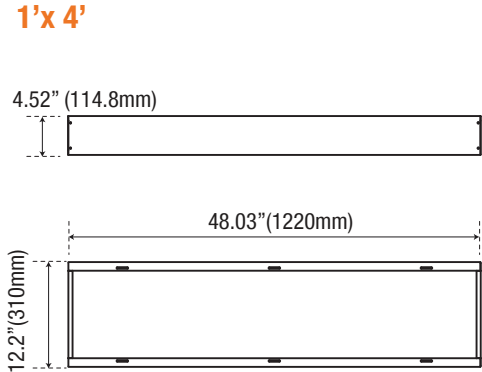
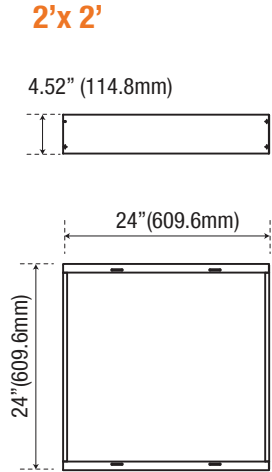
**1'x 4'**



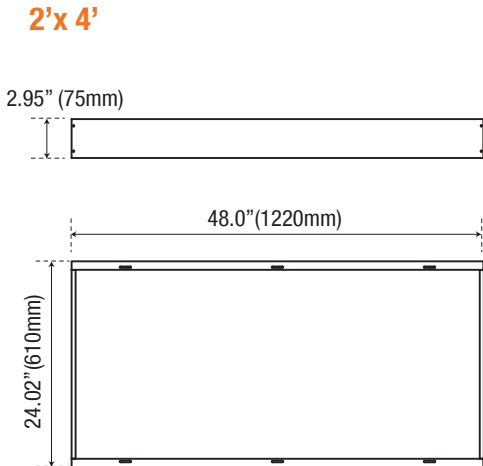
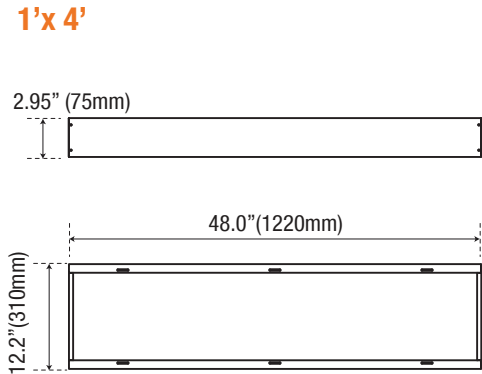
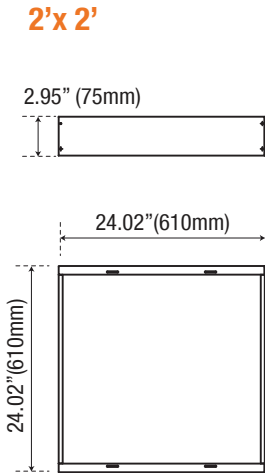
**2'x 4'**



CEILING MOUNT KIT (4.5-inch)

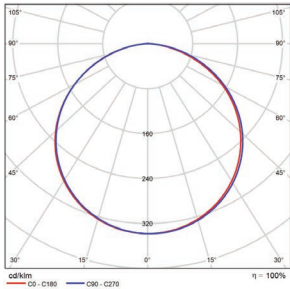


CEILING MOUNT KIT (3.0-inch)



PHOTOMETRICS CHART

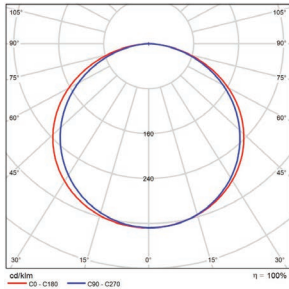
**38 Selectable - 2'x2'**  
DLC Standard



Center Beam fc	Beam Width	
1.7R	526 fc	5.4 ft 5.5 ft
3.3R	140 fc	10.4 ft 10.6 ft
5.0R	60.8 fc	15.8 ft 16.1 ft
6.7R	33.8 fc	21.2 ft 21.5 ft
8.3R	22.1 fc	26.2 ft 26.7 ft
10.0R	15.2 fc	31.6 ft 32.1 ft

Vert. Spread: 115.4°  
Horiz. Spread: 116.2°

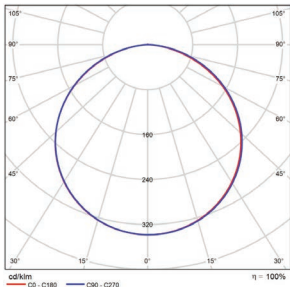
**46 Selectable - 2'x4'**  
DLC Standard



Center Beam fc	Beam Width	
1.7R	589 fc	6.0 ft 5.4 ft
3.3R	156 fc	11.7 ft 10.5 ft
5.0R	68.1 fc	17.8 ft 15.9 ft
6.7R	37.9 fc	23.8 ft 21.3 ft
8.3R	24.7 fc	29.5 ft 26.3 ft
10.0R	17.0 fc	35.6 ft 31.7 ft

Vert. Spread: 121.3°  
Horiz. Spread: 115.5°

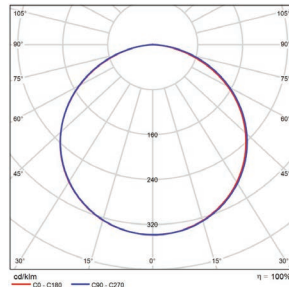
**23 Watt - 2'x2'**  
DLC Standard



Center Beam fc	Beam Width	
1.7R	320 fc	5.4 ft 5.4 ft
3.3R	85.0 fc	10.4 ft 10.6 ft
5.0R	37.0 fc	15.8 ft 16.0 ft
6.7R	20.6 fc	21.2 ft 21.5 ft
8.3R	13.4 fc	26.2 ft 26.6 ft
10.0R	9.25 fc	31.6 ft 32.1 ft

Vert. Spread: 115.3°  
Horiz. Spread: 116.1°

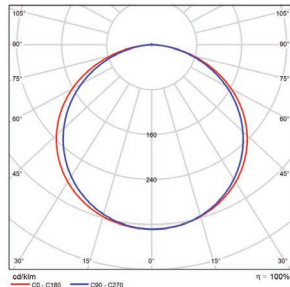
**29 Watt - 2'x2'**  
DLC Standard



Center Beam fc	Beam Width	
1.7R	400 fc	5.4 ft 5.4 ft
3.3R	106 fc	10.4 ft 10.6 ft
5.0R	46.2 fc	15.8 ft 16.0 ft
6.7R	25.7 fc	21.1 ft 21.5 ft
8.3R	16.8 fc	26.2 ft 26.6 ft
10.0R	11.5 fc	31.5 ft 32.1 ft

Vert. Spread: 115.2°  
Horiz. Spread: 116.1°

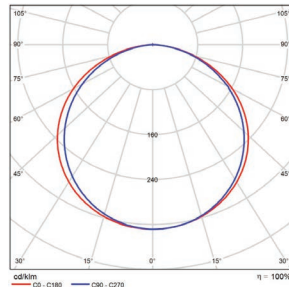
**28 Watt - 2'x4'**  
DLC Standard



Center Beam fc	Beam Width	
1.7R	386 fc	6.0 ft 5.4 ft
3.3R	102 fc	11.7 ft 10.5 ft
5.0R	44.6 fc	17.7 ft 15.9 ft
6.7R	24.8 fc	23.7 ft 21.2 ft
8.3R	16.2 fc	29.3 ft 26.3 ft
10.0R	11.1 fc	35.3 ft 31.7 ft

Vert. Spread: 121.0°  
Horiz. Spread: 115.5°

**39 Watt - 2'x4'**  
DLC Standard



Center Beam fc	Beam Width	
1.7R	518 fc	6.0 ft 5.4 ft
3.3R	137 fc	11.7 ft 10.5 ft
5.0R	59.8 fc	17.7 ft 15.8 ft
6.7R	33.3 fc	23.7 ft 21.2 ft
8.3R	21.7 fc	29.3 ft 26.3 ft
10.0R	15.0 fc	35.4 ft 31.7 ft

Vert. Spread: 121.0°  
Horiz. Spread: 115.5°

PACKAGE

Case Qty 2 pcs

