

PWY PATHWAY

PROJECT: _____

SCHEDULE: _____ DATE: _____

PREPARE BY: _____

NOTES: _____

DESCRIPTION

naturaLED® PWY bright pathway lighting is important for the safety of pedestrian foot traffic. Ensuring that sidewalks and pavement are well lit reduces the risk of people tripping and falling. The superior quality of our DLC pathway light fixture provides selectable wattage and selectable color temperature with glare-free lighting that produces up to 2,305 lumens.

APPLICATIONS

Pathway, Architectural, Perimeter, Commercial

FEATURES

- DLC Premium
- IP65 Rated
- ETL/cETL Listed
- Selectable Wattage (10W/15W/18W)
- Color Temperature: 3CCT (3000/4000/5000K)
- Voltage: 120-347V
- Voltage Frequency (Hz): 50/60
- Powerfactor >0.9
- Surge Protection: 10KV
- Beam Angle: Type V
- Dimmable: 0-10V
- CRI: >80
- Operating temperature: - 40°F - 122°F
- Excellent thermal design
- Colors: Black, Bronze
- 5 Year Warranty
- Optional for purchase: Emergency Driver, IR Motion Sensor, Bluetooth Control



ACCESSORIES

	Motion Sensor w/Z10
	Photocell w/Z10
	Bluetooth Control w/Z10
	Remote Control

SAMPLE NUMBER FX10PWY18SW/42/8CCT3/BK/T5/347

FAMILY	DIAMETER	SERIES	WATTAGE	HEIGHT	CRI/COLOR TEMP	COLOR	LENS	VOLTAGE
FX	10	PWY	18SW	42	8CCT3	BK	T5	347
Fixture	10.5-inch	Pathway	18 Watt Selectable Wattage	42-inch Height	CRI 80 CCT3 - Selectable (3000/4000/5000K)	BK-Black BZ-Bronze	Type 5	120-347V



ORDERING

*P= Premium DLC / *S = Standard DLC

Watts (W)	Ordering Code	Description	CCT (K)	Lumens (Lm)	Equiv. Wattage (W)	Size	Color	IP65 Rated	DLC (P/S)
10	9642	FX10PWY18SW/42/8CCT3/BK/T5/347	3CCT	1,474	100	10.5"x42"	Black	•	P
15			(3/4/5K)	1,800					
18				2,305					
10	9225	FX10PWY18SW/42/8CCT3/BZ/T5/347	3CCT	1,474	100	10.5"x42"	Bronze	•	P
15			(3/4/5K)	1,800					
18				2,305					

ACCESSORIES (Ordered Separately)

Motion Sensor (P10519 + P10522)



P10519 REC-Z10-BK
(Z10 receptacle base with the black cap)



P10522 REC-ANT-6-Z10
(Z10 Twist-Lock PIR Motion and Photocell Sensor, 0-10V, 12-24Vdc - White)

Photocell (P10519 + P10520)



P10519 REC-Z10-BK
(Z10 receptacle base with the black cap)



P10520 SEN-ANT-5-Z10-PC
(Z10 Twist-Lock Photocell 12-24Vdc - White)

Bluetooth Control (P10519 + P10488)



P10519 REC-Z10-BK
(Z10 receptacle base with the black cap)



P10488 CTL-MW-PSC-ZKV-WCM-100-BLE-SR
(Bluetooth Outdoor Controller, 0-10V, 12-24Vdc, Z10 Brown)

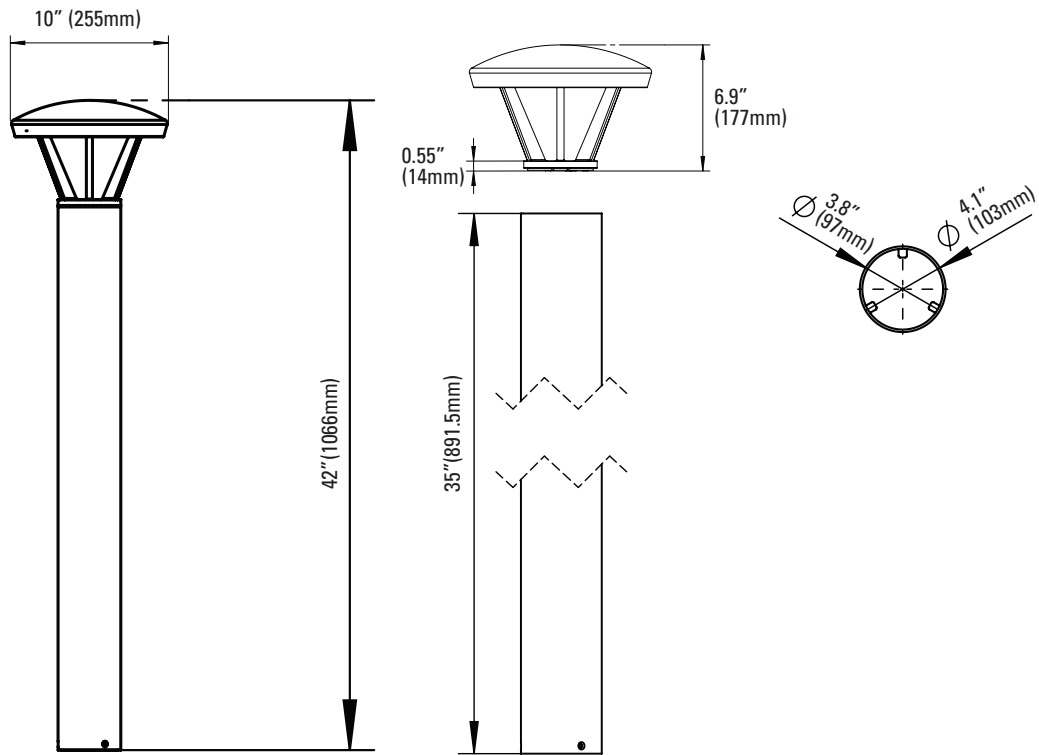
Remote Control



P10316 SEN-BRI-RC100
(Remote Programmer)

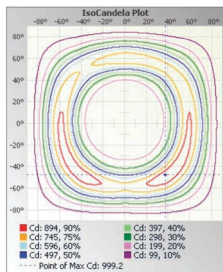
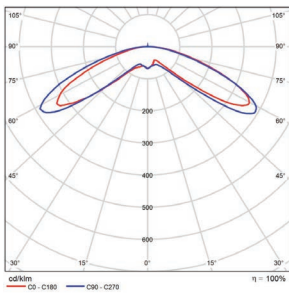
DIMENSIONS

10/15/18W (10.5-inch)
10.65-lbs



PHOTOMETRICS CHART

10/15/18W (10.5-inch)
DLC Premium



Center Beam fc	Beam Width	
0.58R	477 fc	0.36 ft 0.64 ft
1.17R	117 fc	0.73 ft 1.30 ft
1.75R	52.4 fc	1.09 ft 1.94 ft
2.33R	29.6 fc	1.45 ft 2.58 ft
2.92R	18.8 fc	1.81 ft 3.23 ft
3.50R	13.1 fc	2.17 ft 3.87 ft

Vert. Spread: 34.5°
Horiz. Spread: 57.9°

PACKAGE

Case Qty
1 pc

