

RSL RETROFIT STRIP LIGHT CCT3

PROJECT: _____

SCHEDULE: _____ DATE: _____

PREPARE BY: _____

NOTES: _____

DESCRIPTION

naturaLED® Retrofit Strip Light is an energy-saving, cost-effective, and easy to install replacement. Our RSL comes in selectable wattages and color temperatures. This fixture mounts onto virtually any existing fluorescent channel; replacing existing 4' / 8' fluorescent strips and industrial fixtures to LED. Designed with round frosted acrylic lens and steel housing, improves an architectural look for retrofit replacement. Our RSL is a permanent solution that is suitable for applications including retail, warehouse, storage, and much more.



*Available in 4-ft, & 8-ft of length

APPLICATIONS

Warehouse, Retail, Parking Garage, Stairwell and Hallways, Storage Lighting



Rated Life Hours 50,000
Warranty 5 Years

FEATURES

- DLC Standard
- For Damp Location
- UL/cUL Listed
- Color Temp: 3CCT (35/40/50K)
- Voltage: 120-277V
- Power Factor: >0.9
- Surge Protection: 2KV
- Beam Angle: Flood
- Dimmable: 0-10V
- CRI: >80
- Operating temperature: - 13°F - 104°F
- Direct Retrofit
- Available in 4' or 8' length
- Material: Steel and PC lens
- 5Year Warranty
- Optional for Purchase: Motion Sensor, Emergency Driver

ACCESSORIES

- Motion Sensor
- Emergency Drivers
- Remote Control

SAMPLE NUMBER FXRSL44SW/48FR/8CCT3/MV

FAMILY	SERIES	WATTAGE	LENGTH/LENS	CRI/COLOR TEMP	VOLTAGE
FX	RSL	44SW	48FR	8CCT3	MV
Fixture	Retrofit Strip Light	44 Selectable Wattages 22/27/35/44	48-inch Frosted	CRI 80 Selectable CCT (35/40/50K)	Multiple Voltage



RETROFIT STRIP LIGHT CCT3

CEILING & AREA LUMINAIRES

ORDERING

*P= Premium DLC / *S = Standard DLC

Watts (W)	Ordering Code	Description	CCT (K)	Lumens (Lm)	Size	Equiv. Wattage (W)	DLC (S/P)	
22	7161	FXRSL44SW/48FR/8CCT3/MV	3CCT	2,860	48-inch	2X32W(T8)	S	
27				(35/40/50K)				3,510
35				4,550				
44				5,720				
44	7162	FXRSL68SW/96FR/8CCT3/MV	3CCT	5,720	96-inch	5X32W(T8)	S	
58				(35/40/50K)				7,450
68				8,840				

ACCESSORIES (Ordered Separately)

Motion Sensor



P10438 SEN-HB001VCR-1
(Microwave Motion Sensor 0-10V)

Remote Control



P10323 SEN-HD06R
(Remote Programmer for P10438)

Emergency Driver

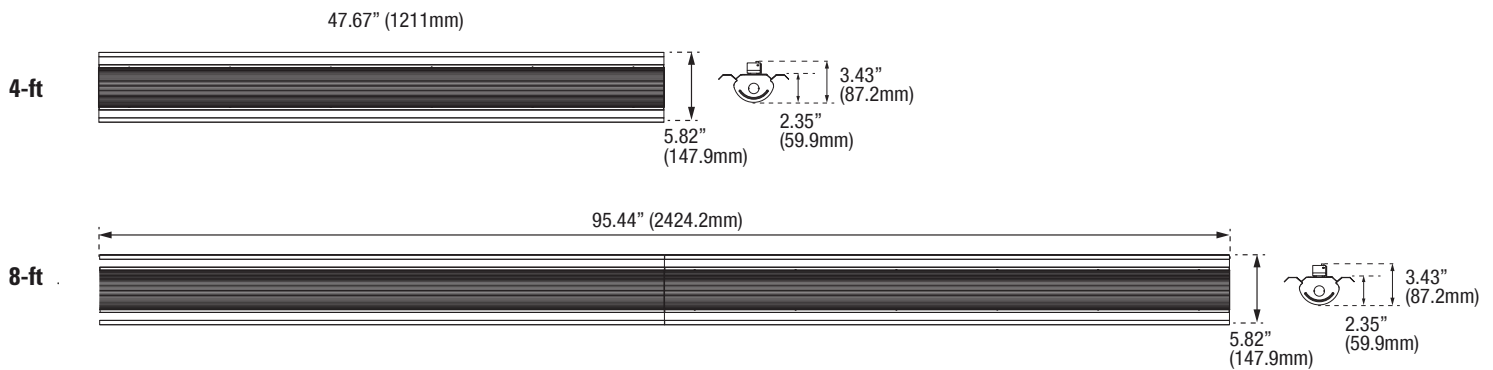


7336 BAEM4-60BC/MV-A
(4W CEC Compliant LED Emergency Driver 120-277V
For 4ft: #7161)



7334 BAEM15-48BC/MV-A
(Emergency Backup Driver 120-277V
For 8ft: #7162)

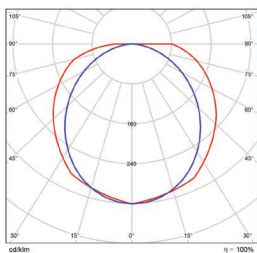
DIMENSIONS



PHOTOMETRICS CHART

PACKAGE

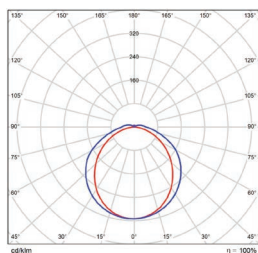
4" DLC Standard



Center Beam Fc	Beam Width
309 fc	6.1 ft
77.2 fc	12.3 ft
34.3 fc	18.4 ft
19.3 fc	24.6 ft
12.4 fc	30.7 ft
8.58 fc	36.9 ft

Vert. Spread: 131.7°
Horiz. Spread: 101.7°

8" DLC Standard



Center Beam Fc	Beam Width
445 fc	9.5 ft
111 fc	19.1 ft
49.4 fc	28.6 ft
27.8 fc	38.2 ft
17.8 fc	47.7 ft
12.4 fc	57.2 ft

Vert. Spread: 101.6°
Horiz. Spread: 124.7°

Case Qty 1 pc

