

**SECSD SECURITY BARN LIGHT**

PROJECT: \_\_\_\_\_

SCHEDULE: \_\_\_\_\_ DATE: \_\_\_\_\_

PREPARE BY: \_\_\_\_\_

NOTES: \_\_\_\_\_

**DESCRIPTION**

naturaLED® BarnYard fixtures are an excellent replacement for the traditional HID BarnYard fixtures. They offer great energy savings while delivering brilliant illumination quality. naturaLED® BarnYard fixtures feature a Photocell sensor built-in and IP65 Rated with an optional 16-inch extension arm.

**APPLICATIONS**

Alleyways, parking lot, security, pole barn, street, area, driveway lighting

**FEATURES**

- Energy Star
- IP65 Rated
- ETL Listed
- ColorTemp: 4000K
- Voltage: 120-277V
- Power Factor: >0.9
- Surge Protection: 1KV
- CRI: >80
- Operating temperature: -22°F - 131°F
- Built-in photocell
- Recommended 15-30 foot height performance
- Net Weight: 1.5lbs
- Material: Polycarbonate
- Color: Black
- 5 Year Warranty
- Optional for Purchase: 16" extension arm



Optional 16-inch Extension Arm Available



Photocell Sensor built-in

**Rated Life 50,000 Hours**  
**Warranty 5 Years**

**ACCESSORIES**



**SAMPLE NUMBER LED-FXSECSD25/40K**

| STYLE               | FAMILY        | SERIES                        | WATTAGE        | COLOR TEMP   |
|---------------------|---------------|-------------------------------|----------------|--------------|
| LED<br>LED Lighting | FX<br>Fixture | SECSD<br>Security Barn Lights | 25<br><25 Watt | 40K<br>4000K |



**ORDERING**

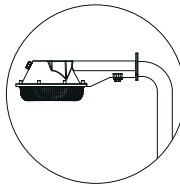
| Watts (W) | Ordering Code | Description       | CCT (K) | Lumens (Lm) | Equiv. Wattage (W) | Color | IP65 Rated | Energy Star |
|-----------|---------------|-------------------|---------|-------------|--------------------|-------|------------|-------------|
| 24        | <b>7790</b>   | LED-FXSECSO25/40K | 4000K   | 2,250       | 100                | Black | •          | •           |

**ACCESSORIES (Ordered Separately)**

**Extension Arm**

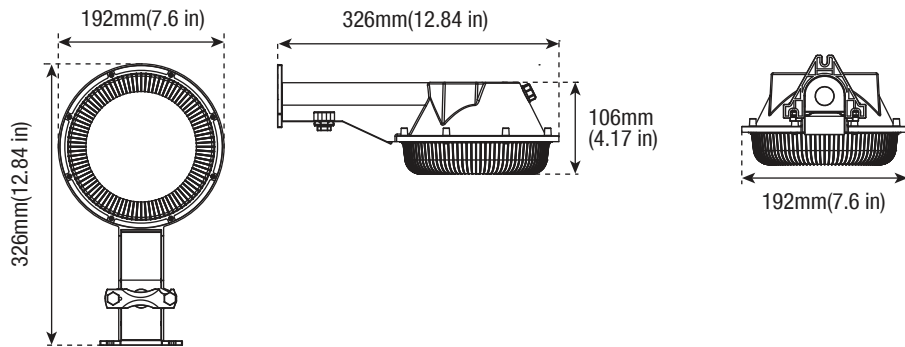


P10054 MT-DEA16  
(Dusk to Dawn 16" Extension Arm Pole)



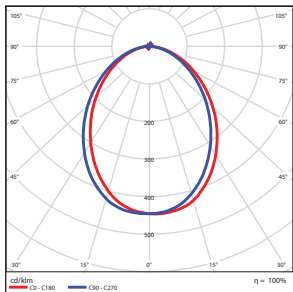
**DIMENSIONS**

**24W (SECSO)**  
1.50-lbs



**PHOTOMETRICS CHART**

**24 Watt**  
Energy Star



| Beam Spread | Center Beam ft. | Beam Width | Beam Width |
|-------------|-----------------|------------|------------|
| 2.5R        | 160 fc          | 5.0 ft     | 5.0 ft     |
| 5.0R        | 40.0 fc         | 10.0 ft    | 10.1 ft    |
| 7.5R        | 17.8 fc         | 15.0 ft    | 15.1 ft    |
| 10.0R       | 10.0 fc         | 20.0 ft    | 20.1 ft    |
| 12.5R       | 6.40 fc         | 25.0 ft    | 25.2 ft    |
| 15.0R       | 4.45 fc         | 30.0 ft    | 30.2 ft    |

■ Vert. Spread: 90.0°  
■ Horiz. Spread: 90.4°

**PACKAGE**

Case Qty 1 pc

