

**TF TROFFER**

PROJECT: \_\_\_\_\_

SCHEDULE: \_\_\_\_\_ DATE: \_\_\_\_\_

PREPARE BY: \_\_\_\_\_

NOTES: \_\_\_\_\_

**DESCRIPTION**

naturaLED® Troffer is the perfect solution for your interior lighting needs. Our Troffer is available in 2'x2' and 2'x4' dimensions for TBar/Grid ceilings. Available options include Emergency LED Driver and Microwave Motion Sensor. This is a lightweight fixture with a bug-free lens design and produces up to 5,850 lumens with excellent light distribution and color consistency.



**Rated Life** Hours 50,000  
**Warranty** 5 Years

**APPLICATIONS**

Conference, Meeting Rooms, Factories, Offices, Schools, Hospitals

**FEATURES**

- DLC Standard
- Damp Location
- UL Listed
- Color Temp: 3500K, 4000K, 5000K
- Voltage: 120-277V
- Power Factor: >0.9
- Surge Protection: 1KV
- Beam Angle: 120°
- Dimmable 1-10V
- CRI: >80
- Operating temperature: - 4°F - 104°F
- Easy installation for retrofit replacement
- Available in 2' or 4' length
- Material: Steel and PC lens
- 5Year Warranty
- Optional for Purchase: Emergency Driver, Motion Sensor, Flange Mount Kit

**ACCESSORIES**

- Air Craft Cable
- Emergency Driver
- Microwave Motion Sensor
- Flange Mounted Kit

**SAMPLE NUMBER** LED-FXTF20/2X2/840G1

STYLE	FAMILY	SERIES	WATTAGE	LENGTH	CRI	COLOR TEMP	VERSION
LED	FX	TF	20	2x2	8	40	G1
LED Lighting	Fixture	Troffer	20 Watt	2-ft x 2-ft	CRI 80	4000K	G1 Series



ORDERING

\*P= Premium DLC / \*S = Standard DLC

Watts (W)	Ordering Code	Description	CCT (K)	Lumens (Lm)	Size	Equiv. Wattage (W)	Beam Angle	Damp Location	DLC (S/P)
20	<b>9236</b>	LED-FXTF20/2x2/840G1	4000K	2,620	2'x2'	60-70	120°	•	S
20	<b>9237</b>	LED-FXTF20/2x2/850G1	5000K	2,640	2'x2'	60-70	120°	•	S
30	<b>9238</b>	LED-FXTF30/2x4/835G1	3500K	3,810	2'x4'	90-100	120°	•	S
30	<b>9239</b>	LED-FXTF30/2x4/840G1	4000K	3,900	2'x4'	90-100	120°	•	S
30	<b>9240</b>	LED-FXTF30/2x4/850G1	5000K	3,900	2'x4'	90-100	120°	•	S
45	<b>9241</b>	LED-FXTF45/2x4/835G1	3500K	5,715	2'x4'	120-130	120°	•	S
45	<b>9242</b>	LED-FXTF45/2x4/840G1	4000K	5,850	2'x4'	120-130	120°	•	S
45	<b>9243</b>	LED-FXTF45/2x4/850G1	5000K	5,850	2'x4'	120-130	120°	•	S

ACCESSORIES (Ordered Separately)

Air Craft Cable



P10147 MT-ACC-4FT  
(4-ft cable)

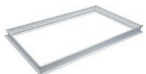
P10144 MT-ACC-10FT  
(10-ft cable)

Emergency Driver Kit



K7334225 FXTF-BAEM-MT  
(Emergency Driver for 100-277V with mounting plate)

Flange Mounting Kit



P10228 MT-2x2FMBOX  
(2' x 2' Flange Mount Kit)

P10229 MT-2x4FMBOX  
(2' x 4' Flange Mount Kit)

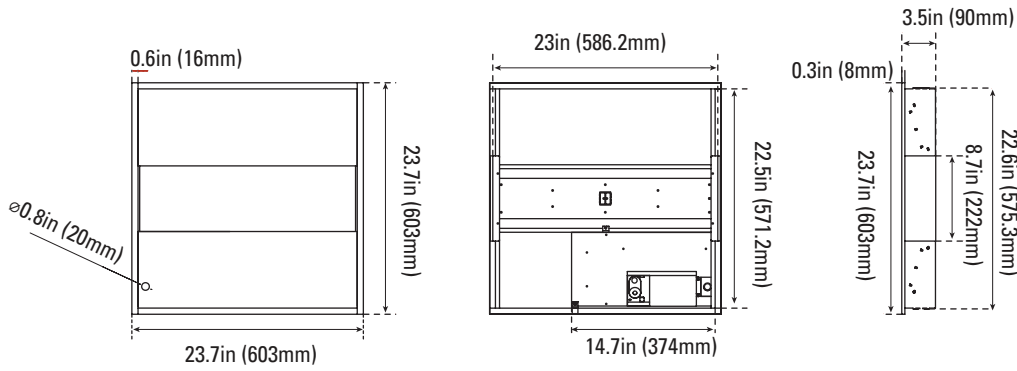
Microwave Motion Sensor Kit



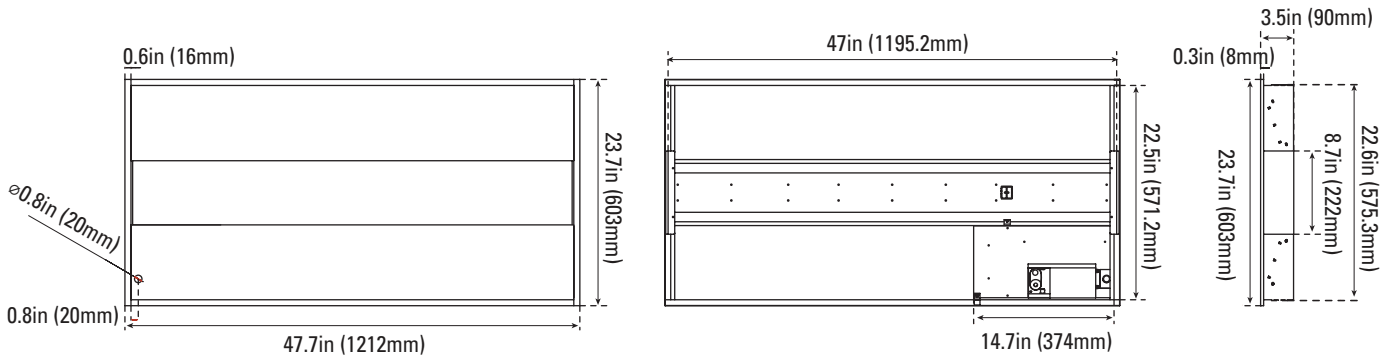
K225234 PLT/FXTF/MC605  
(Microwave Motion Sensor for 100-277V with mounting plate)

**DIMENSIONS**

**2'x2' - 20 Watt**  
8.3-lbs



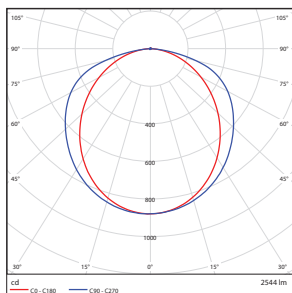
**2'x4' - 30 Watt / 45 Watt**  
13.3-lbs



**PHOTOMETRICS CHART**

**PACKAGE**

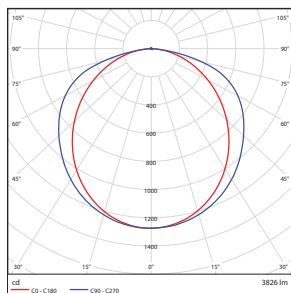
**20 Watt**



Center Beam fc	Beam Width
2.5R	141 fc 6.2 ft 10.4 ft
5.0R	35.2 fc 12.4 ft 20.8 ft
7.5R	15.6 fc 18.6 ft 31.2 ft
10.0R	8.79 fc 24.7 ft 41.6 ft
12.5R	5.62 fc 30.9 ft 52.0 ft
15.0R	3.91 fc 37.1 ft 62.4 ft

Vert. Spread: 102.1°  
Horiz. Spread: 128.6°

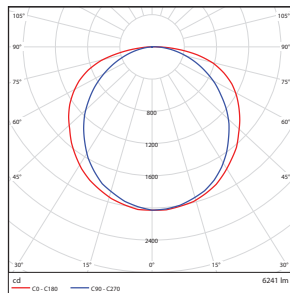
**30 Watt**



Center Beam fc	Beam Width
2.5R	204 fc 6.5 ft 10.7 ft
5.0R	50.9 fc 13.0 ft 21.3 ft
7.5R	22.6 fc 19.4 ft 32.0 ft
10.0R	12.7 fc 25.9 ft 42.7 ft
12.5R	8.15 fc 32.4 ft 53.3 ft
15.0R	5.66 fc 38.9 ft 64.0 ft

Vert. Spread: 104.7°  
Horiz. Spread: 129.8°

**45 Watt**



Center Beam fc	Beam Width
2.5R	324 fc 11.3 ft 6.7 ft
5.0R	81.1 fc 22.5 ft 13.5 ft
7.5R	36.0 fc 33.8 ft 20.2 ft
10.0R	20.3 fc 45.0 ft 27.0 ft
12.5R	13.0 fc 56.3 ft 33.7 ft
15.0R	9.01 fc 67.5 ft 40.5 ft

Vert. Spread: 132.1°  
Horiz. Spread: 106.9°

**Case Qty 2 pcs**

