

## TWX COMPACT TRADITIONAL WALL PACK

PROJECT: \_\_\_\_\_

SCHEDULE: \_\_\_\_\_ DATE: \_\_\_\_\_

PREPARE BY: \_\_\_\_\_

NOTES: \_\_\_\_\_

### DESCRIPTION

naturaLED® TWX compact traditional wallpack comes in rugged cast-aluminum housing with excellent thermal design. DLC Premium qualified, our TWX product offers a slim & compact appearance for your wall luminaires. The slim shape maintains an aesthetic appearance to replace any building's wallpack or perimeter lighting. Ideal for outdoor applications such as carports, loading areas, driveways, parking area and pathways. Designed for wall mounting above four feet from ground. New available in Wattage Selectable and Color Temperature Selectable.



Built-in Photocell sensor



**Rated Life 50,000 Hours**  
**Warranty 5 Years**

### APPLICATIONS

Security, Pathway, Perimeter, Entryway, Area Lighting, and building facades

### FEATURES

- DLC Premium Qualified
- IP65 Rated
- ETL, cETL Listed
- Selectable Wattages
- Color Temp: 3CCT (3000/4000/5000K)
- Voltage: 120-277V
- Input Current: 60W=0.67A, 100W=0.91A
- Power Factor >0.9
- Surge Protection: 4KV
- Beam Angle: Forward Throw
- Dimmable: 0-10V
- CRI: 80
- Operating temperature: - 40°F - 122°F
- Built In Photocell Sensor Included (Easy ON/OFF Switch)
- Material: Die Cast Aluminum
- Lens: Borosilicate Glass Lens
- Finish: Corrosion resistant powder coating
- Colors: Bronze, Black, White
- 5 Year Warranty
- Optional for Purchase: Microwave Sensor, Emergency Drivers, Remote Control

### ACCESSORIES

	Microwave Sensor
	Emergency Backup Driver
	Remote Control

**SAMPLE NUMBER** FXTWX100SW/8CCT3/BZ-PHO

FAMILY	SERIES	WATTAGE	SELECTABLE	CRI/COLOR TEMP	FINISH COLOR	ACCESSORY
FX Fixture	TWX Compact Traditional Wall Pack	100 60/80/100W	SW Selectable Wattage	8CCT3 CRI 80 3000K 4000K 5000K	BZ Bronze BK- Black WH - White	PHO Photocell Included



# COMPACT TRADITIONAL WALL PACK

## WALL & AREA LUMINAIRES

### ORDERING

\*P= Premium DLC / \*S = Standard DLC

Watts (W)	Ordering Code	Description	CCT (K)	Lumens (Lm)	Equiv. Wattage (W)	Color	IP65 Rated	DLC (S/P)
25	<b>7529</b>	FXTWX60SW/8CCT3/BZ-PHO	3CCT	3,125	175-400	Bronze	•	P
40			(3000/4000/	5,000				
60			5000K)	7,538				
60	<b>7530</b>	FXTWX100SW/8CCT3/BZ-PHO	3CCT	7,500	400-750	Bronze	•	P
80			(3000/4000/	10,000				
100			5000K)	12,286				
25	<b>9672</b>	FXTWX60SW/8CCT3/BK-PHO	3CCT	3,729	175-400	Black	•	P
40			(3000/4000/	5,000				
60			5000K)	7,538				
60	<b>9673</b>	FXTWX100SW/8CCT3/BK-PHO	3CCT	8,624	400-750	Black	•	P
80			(3000/4000/	10,000				
100			5000K)	12,286				
25	<b>9674</b>	FXTWX60SW/8CCT3/WH-PHO	3CCT	3,729	175-400	White	•	P
40			(3000/4000/	5,000				
60			5000K)	7,538				
60	<b>9675</b>	FXTWX100SW/8CCT3/WH-PHO	3CCT	8,624	400-750	White	•	P
80			(3000/4000/	10,000				
100			5000K)	12,286				

### ACCESSORIES (Ordered Separately)

#### Microwave Sensor



**P10540 SEN-ANT-11WH**  
(Remote Programmable Microwave Motion Sensor  
0-10V Bi-Level Internal 12V Low Voltage )

#### Remote Control



**P10316 SEN-BRI-RC100**  
(Remote Programmer for P10540)

#### Emergency Driver



**7336 BAEM4-60BC/MV-A**  
(4W CEC Compliant LED Emergency Driver for 60-Watt  
#7529,9672,9674)

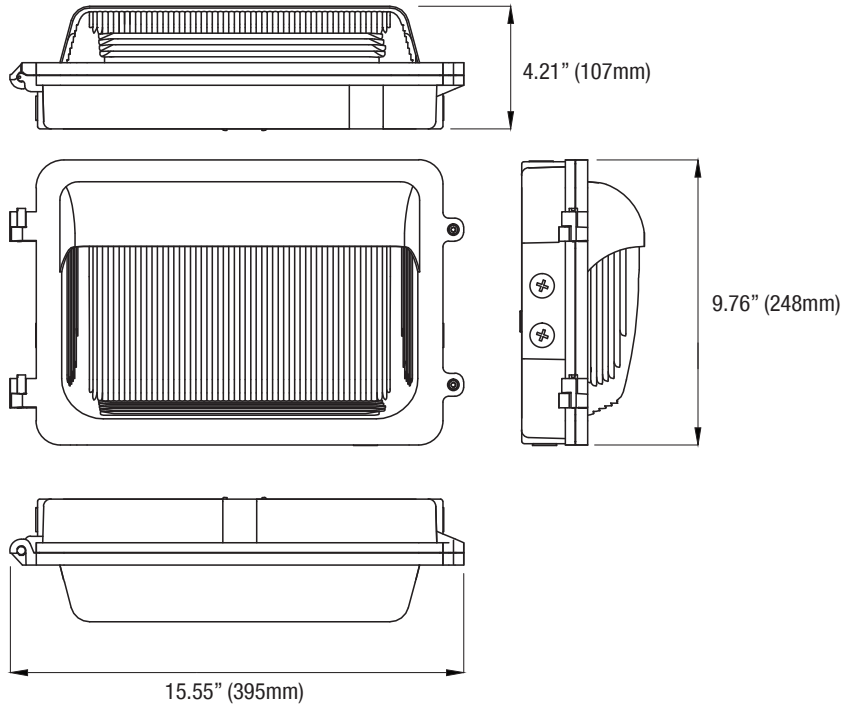
# COMPACT TRADITIONAL WALL PACK

WALL & AREA LUMINAIRES

## DIMENSIONS

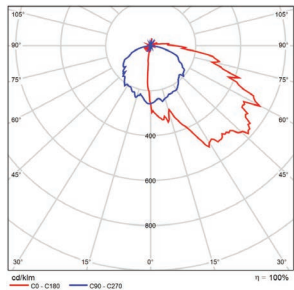
**60SW**  
9.26-lbs

**100SW**  
9.48-lbs



## PHOTOMETRICS CHART

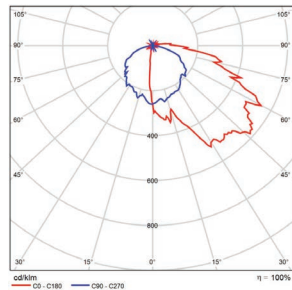
**60 Watt**  
DLC Premium



	Center Beam fc	Beam Width	
2.5R	311 fc	3.7 ft	4.8 ft
5.0R	77.9 fc	7.4 ft	9.7 ft
7.5R	34.6 fc	11.0 ft	14.5 ft
10.0R	19.5 fc	14.7 ft	19.4 ft
12.5R	12.5 fc	18.4 ft	24.2 ft
15.0R	8.65 fc	22.1 ft	29.1 ft

■ Vert. Spread: 72.7°  
■ Horiz. Spread: 88.2°

**100 Watt**  
DLC Premium



	Center Beam fc	Beam Width	
2.5R	510 fc	3.7 ft	4.8 ft
5.0R	128 fc	7.3 ft	9.6 ft
7.5R	56.7 fc	11.0 ft	14.4 ft
10.0R	31.9 fc	14.7 ft	19.2 ft
12.5R	20.4 fc	18.4 ft	24.0 ft
15.0R	14.2 fc	22.0 ft	28.8 ft

■ Vert. Spread: 72.6°  
■ Horiz. Spread: 87.6°

## PACKAGE

Case Qty 2 pcs

