

## VTL VAPOR TIGHT 11"

PROJECT: \_\_\_\_\_

SCHEDULE: \_\_\_\_\_ DATE: \_\_\_\_\_

PREPARE BY: \_\_\_\_\_

NOTES: \_\_\_\_\_

### DESCRIPTION

naturaLED® linear vapor tight 11-inch is housed in polycarbonate silicon perimeter gasket with brackets for mounting. Engineered for powerful lighting, the IP66-rated LED Vapor Tight Linear Fixtures are designed to replace fluorescent strip fixtures and can be used in parking garage, corporate campus, education facility, storage facility car washes, tunnels and stairwell lighting. Using up to 65% less energy and operating for up to 50,000 average life hours, our fixture comes with selectable wattages and selectable color temperatures.

### APPLICATIONS

Corporate campus, education, healthcare facilities, parking structure, tunnels, car wash, stairwell lighting, meeting rooms, offices, schools, hospitals, hospitalities

### FEATURES

- DLC Premium
- IP66 Rated
- ETL / ETL Sanitation Rated
- Wattage & Color Selectable
- Wattage: 120-200W
- Color Temp: CCT3 (35/40/50K)
- Voltage: 120-347V
- Surge Protection: 6KV
- Dimmable: 0-10V
- CRI >80
- Operating temperature: -40°F - 122°F
- Beam Angle: 120°
- NEMA 4X
- Designed for maximum operation in commercial environments
- Lighter weight housing for easy installation
- Stainless steel hasps and clips
- Warranty: 5-Year
- Optional Accessories for Purchase: Microwave Motion Sensor, Emergency Driver, Remote Programmer



**Rated Life Hours 50,000**  
**Warranty 5 Years**

### ACCESSORIES



Microwave Motion Sensor



Emergency Driver



Remote Programmer

## SAMPLE NUMBER VTL11/200S/48FR/8C3/347

SERIES	SIZE	WATTAGE	LENGTH/LENS	TYPE	VOLTAGE
VTL	11	200SW	48FR	8C3	347
Vapor Tight Linear	11-inch	Selectable Wattage <200W	48-inch Frosted	CRI 80 CCT Selectable Color Temp 3500/4000/5000K	120-347V



NEMA 4X



# VAPOR TIGHT LINEAR 11"

## CEILING & AREA LUMINAIRES

### ORDERING

\*P= Premium DLC / \*S = Standard DLC

Watts (W)	Ordering Code	Description	CCT (K)	Lumens (Lm)	Length	Equiv. Wattage (W)	Dimmable	IP66 Rating	DLC (S/P)
120	<b>9676</b>	VTL11/200S/48FR/8C3/347	3CCT	19,200	4'	100-400W	0-10V	•	P
160			(35/40/50K)	25,600					
200				32,000					

### ACCESSORIES (Ordered Separately)

#### Emergency Driver Kit



K7341412 FXVTL200-BAEM-MT  
(20W 90-260Vdc Output -CEC Compliant LED  
Emergency Driver 120-347V (with mounting plate))

#### Surge Protector



P10389 SPD-L-10KV-277  
(Single Phase Surge Protection 10KV 120-277V)



P10390 SPD-L-20KV-277  
(Single Phase Surge Protection 20KV 120-277V)



P10391 SPD-L-20KV-480  
(Single Phase Surge Protection 20KV 347-480V)

#### Motion Sensor and Remote Control



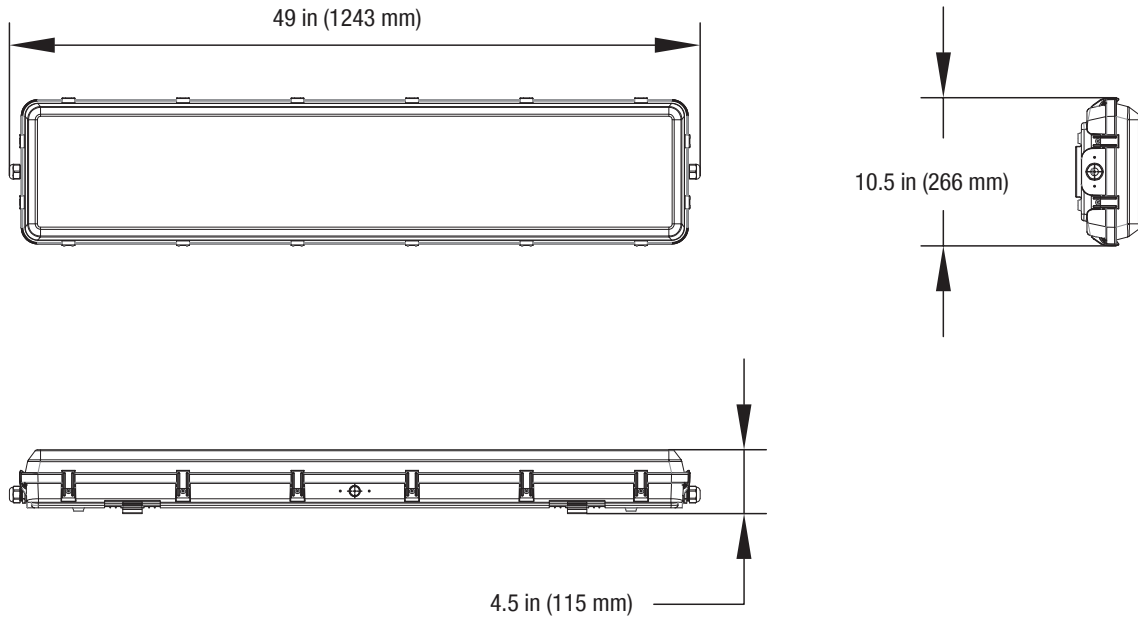
P10438 SEN-HB001VCR-1  
(Remote Programmable Microwave  
Motion Sensor 0-10V Bi-Level Internal 12V Low Voltage)



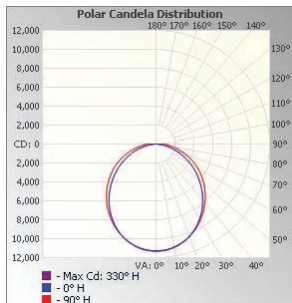
P10323 SEN-HD06R  
(Remote Programmer)

**DIMENSIONS**

**4-ft**  
13.9-lbs



**PHOTOMETRICS CHART**



**Illuminance at a Distance**

Center Beam fc	Beam Width
1.3ft	6,682 fc    3.3 ft    3.9 ft
2.7ft	1,549 fc    7.0 ft    8.2 ft
4.0ft	706 fc    10.3 ft    12.1 ft
5.3ft	402 fc    13.6 ft    16.0 ft
6.7ft	252 fc    17.3 ft    20.3 ft
8.0ft	176 fc    20.6 ft    24.2 ft

■ Vert. Spread: 104.3°  
■ Horiz. Spread: 113.0°

**PACKAGE**

Case Qty 1 pc

