

BR/R BR/R LAMPS

PROJECT:	
SCHEDULE:	DATE:
PREPARE BY:	
NOTES:	

DESCRIPTION

naturaLED® BR/R LED bulb provides a superior replacement for all incandescent lamp applications. An energy efficient integrated LED driver deliver the same lumen output equivalent with up to 80% energy savings. Our LEDs are direct replacement with energy star certification. Perfect for display case lighting, track lighting, jewelry lighting and general lighting.



APPLICATIONS

Display Case, Recessed, Accent, General, Residential, Restaurant



Rated Life Hours 25,000
Warranty 5 Years

FEATURES

- Energy Star
- Damp Location
- UL Listed
- CEC/ JA8-2016
- ColorTemp: 2700K, 3000K, 4000K, 5000K
- Voltage: 120V
- Power Factor: >0.9
- Dimmable
- CRI: >90
- Operating Temperature: - 4°F - 104°F
- Instant on / Uniform light distribution and consistent color
- Up to 80% energy savings
- Direct Replacement traditional incandescent design
- Contains no mercury or lead
- Material: Polycarbonate
- 5 Year Warranty
- 25,000 hrs rated average life

SAMPLE NUMBER LED8R20/50L/927

STYLE	WATTAGE	SERIES	SHAPE	LUMENS	CRI	COLOR TEMP
LED	8	BR	20	50L	9	27
LED Lighting	8 Watt	BR Lamp	BR20	>500 Lumens	CRI 90	2700K

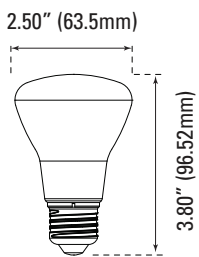


ORDERING

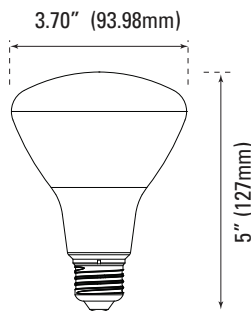
Watts (W)	Ordering Code	Description	CCT (K)	Lumens (Lm)	Base	CRI	Equiv. Wattage (W)	Damp Location	Energy Star
8	5834	LED8R20/50L/927	2700K	525	E26	90	50	•	•
8	5982	LED8R20/50L/950	5000K	525	E26	90	50	•	•
9	5835	LED9BR30/65L/927	2700K	650	E26	90	65	•	•
9	5983	LED9BR30/71L/950	5000K	715	E26	90	65	•	•
12	5842	LED12BR30/90L/927	2700K	938	E26	90	75	•	•
12	5893	LED12BR30/95L/930	3000K	950	E26	90	75	•	•
12	5978	LED12BR30/90L/940	4000K	950	E26	90	75	•	•
12	5984	LED12BR30/95L/950	5000K	950	E26	90	75	•	•
15	5836	LED15BR40/120L/927	2700K	1,200	E26	90	85	•	•

DIMENSIONS

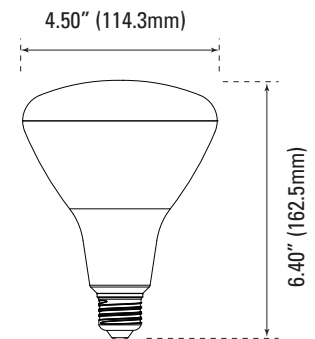
R20
2.24-oz



BR30
5.60-oz

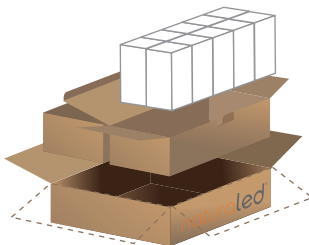


BR40
9.12-oz



PACKAGE

Case Qty R20/BR30
20 pcs (10 for inner package)



Case Qty BR40
10 pcs

