

**FIL FILAMENT HID**

PROJECT: \_\_\_\_\_  
 SCHEDULE: \_\_\_\_\_ DATE: \_\_\_\_\_  
 PREPARE BY: \_\_\_\_\_  
 NOTES: \_\_\_\_\_

**DESCRIPTION**

naturaLED® High Lumen Filament LED lamps replicate the traditional design of HID Metal Halide and High Pressure Sodium lamps while providing significant energy savings. Unlike Corn Cob Style LED Lamp, naturaLED® High Lumen Filament LED Lamps contain LED filament rods that are powered by using a glass insulated circuit, similar to traditional lamps. Our filament HID replacement lamps come in the traditional ED23, ED28, and ED37 shapes, perfect upgrade option for commercial applications including post tops, bollards, high bays and wall packs. The lamps are Ballast Bypass, Enclosed Fixture Rated, with 360° Omni Directional with Highest LPW (200LPW) backed by the best 5 year warranty in the market.



**APPLICATIONS**

Warehouses, Parking Structures, Large Retail Facilities, Large Public Area, Pathways, Industrial Lighting

Ballast must be Bypassed. Line Voltage Only.

**FEATURES**

- ETL, cETL Listed
- DOE Qualified
- 200LPW
- Color Temp: 3000K, 4000K, 5000K
- Highest 200LPW (lumens per watt)
- Voltage: 120-277V
- Power Factor: >0.9
- CRI: >80
- Surge Protection: 2KV
- Operating temperature: -4°F - 113°F
- Instant on / Uniform and consistent color
- Up to 70% energy savings
- Beam Angle: 360°
- Direct Replacement traditional HID Metal Halide
- Material : Glass
- 5 Year Warranty
- 35,000 hrs rated average life

**ACCESSORIES**



**SAMPLE NUMBER LED20FHID/ED23.5/EX39/830**

STYLE	WATTAGE	SERIES	SHAPE	BASE	CRI	COLOR TEMP
LED	20	FHID	ED23.5	EX39	8	30
LED Lighting	20 Watt	Filament HID	ED23.5 ED28 ED37	EX39	320+ Lumens	CRI 90 3000K



ORDERING

Watts (W)	Ordering Code	Description	CCT (K)	Lumens (Lm)	Base	Bulb	Equiv. Wattage (W)
15	<b>4617</b>	LED15FHID/ED17/E26/822	2200K	2,325	E26	ED17	<100W
15	<b>4618</b>	LED15FHID/ED17/E26/830	3000K	2,800	E26	ED17	150W
15	<b>4619</b>	LED15FHID/ED17/E26/850	5000K	2,800	E26	ED17	150W
20	<b>4620</b>	LED20FHID/ED23.5/EX39/830	3000K	4,000	EX39	ED23.5	<100W
20	<b>4621</b>	LED20FHID/ED23.5/EX39/840	4000K	4,000	EX39	ED23.5	<100W
20	<b>4622</b>	LED20FHID/ED23.5/EX39/850	5000K	4,000	EX39	ED23.5	<100W
25	<b>4623</b>	LED25FHID/ED28/EX39/830	3000K	5,000	EX39	ED28	150W
25	<b>4624</b>	LED25FHID/ED28/EX39/840	4000K	5,000	EX39	ED28	150W
25	<b>4625</b>	LED25FHID/ED28/EX39/850	5000K	5,000	EX39	ED28	150W
30	<b>4626</b>	LED30FHID/ED28/EX39/830	3000K	6,000	EX39	ED28	150-175W
30	<b>4627</b>	LED30FHID/ED28/EX39/840	4000K	6,000	EX39	ED28	150-175W
30	<b>4628</b>	LED30FHID/ED28/EX39/850	5000K	6,000	EX39	ED28	150-175W
40	<b>4629</b>	LED40FHID/ED28/EX39/840	4000K	8,000	EX39	ED28	250W
40	<b>4630</b>	LED40FHID/ED28/EX39/850	5000K	8,000	EX39	ED28	250W
40	<b>4631</b>	LED40FHID/ED28C/EX39/840	4000K	8,000	EX39	ED28 Coated	250W
40	<b>4632</b>	LED40FHID/ED28C/EX39/850	5000K	8,000	EX39	ED28 Coated	250W
55	<b>4633</b>	LED55FHID/ED37/EX39/840	4000K	11,000	EX39	ED37	400W
55	<b>4634</b>	LED55FHID/ED37/EX39/850	5000K	11,000	EX39	ED37	400W

Adjustable Lumens by Wattage Select

30	<b>4636</b>	LED45FHID/SW/ED28/EX39/850	5000K	5,850	EX39	ED28	150-250W
38				7,400			
45				8,750			
60	<b>4637</b>	LED85FHID/SW/ED37/EX39/850	5000K	11,700	EX39	ED37	400-575W
68				13,200			
85				16,500			

ACCESSORIES

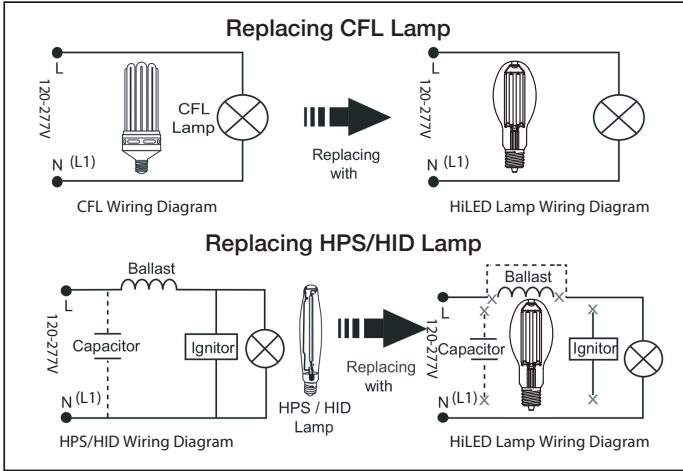


**Adapter E26 to EX39 Lamp**  
P10544 ADP-E26-EX39  
(Adapter for E26 Socket to E39/EX39 Lamp)



**Adapter EX39 to E26 Lamp**  
P10545 ADP-EX39-E26  
(Adapter for E39/EX39 Socket to E26 Lamp)

WIRING DIAGRAM



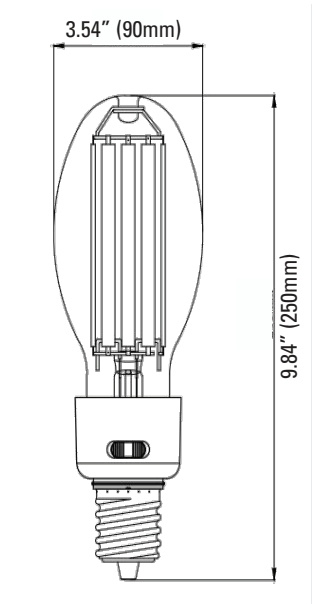
Ballast must be Bypassed. Line Voltage Only.

LAMP COMPARTMENT DIMENSION

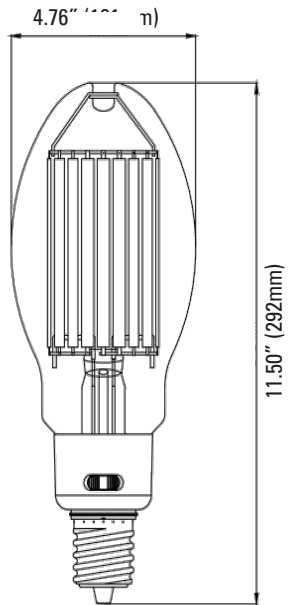
Model No.	Type of Recessed Luminaires and Min. Lamp Compartment Dimension
ED23.5 (20W)	8.50" x 6.02" x 6.02" (216mmX153mmX153mm)
ED28 (25/30/40/45W)	14.00" x 8.03" x 8.03" (356mmX204mmX204mm)
ED37 (45/55/65W)	15.35" x 16.53" x 7.48" (390mmX420mmX190mm)
ED37 (85W)	13.74" x 16.97" x 16.97" (349mmX431mmX431mm)

DIMENSIONS

**ED28 Lamp**  
45W Selectable Wattage

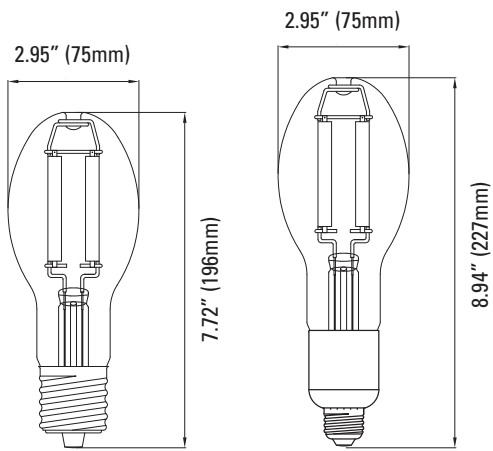


**ED37 Lamp**  
85W Selectable Wattage

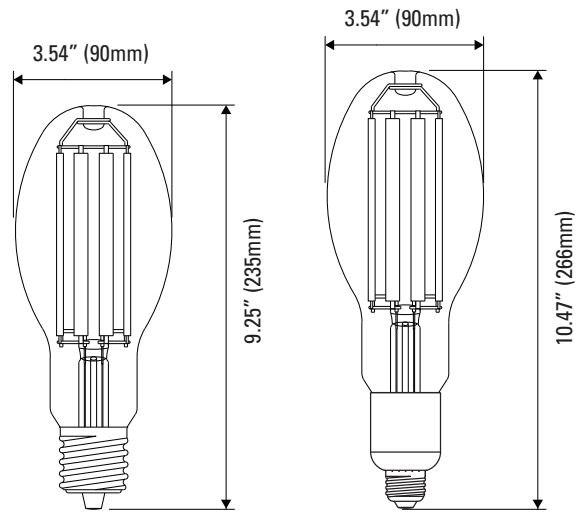


**DIMENSIONS**

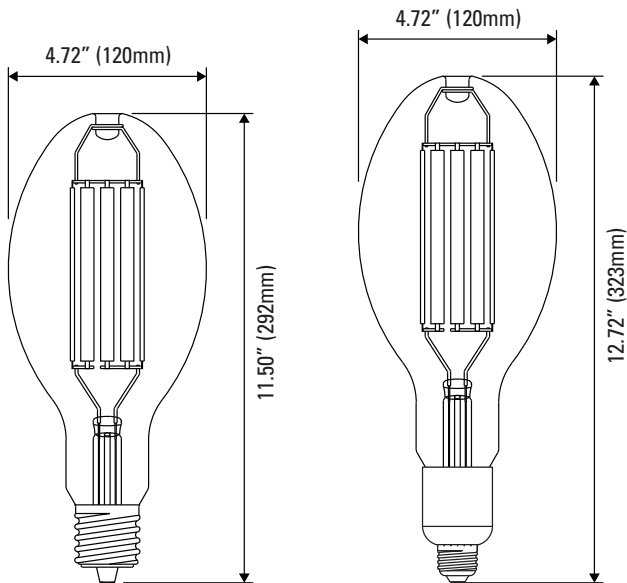
**ED23.5 Lamp**  
20 Watt: 0.37-lbs



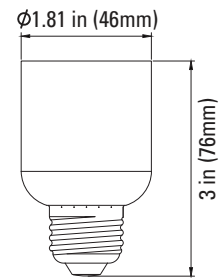
**ED28 Lamp**  
25 Watt: 0.37-lbs  
30 Watt: 0.44-lbs  
40 Watt: 0.46-lbs



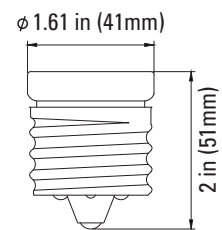
**ED37 Lamp**  
55 Watt: 0.62-lbs



**P10544 ADP-E26-EX39**



**P10545 ADP-EX39-E26**



**PACKAGE**

**Case Qty** 10 pcs

