

## FDL FLOODLIGHT

PROJECT: \_\_\_\_\_

SCHEDULE: \_\_\_\_\_ DATE: \_\_\_\_\_

PREPARE BY: \_\_\_\_\_

NOTES: \_\_\_\_\_

### DESCRIPTION

naturaLED® floodlights has a flood beam distributions and replaces up to 575 watt. This product is water resistant rated at IP65. Creating bright, security and spot lighting for a variety of applications such as perimeter, entryway, facades, landscapes, retail and residential complexes and architectural lighting. Pre-installed yoke-arm design can be adjustable to the angle that best suit your needs.



### APPLICATIONS

Security, Architectural, Perimeter, Entryway, Pathway, Landscape



**Rated Life 50,000 Hours**  
**Warranty 5 Years**

### FEATURES

- IP65 Rated
- ETL Listed
- Color Temp: 3000K, 4000K, 5000K
- Voltage: 120-277V
- Powerfactor >0.9
- Surge Protection: 10W=1KV, 50/75W=4KV
- Dimmable: 1-10V (50W/75W)
- CRI: 10W=CRI:>80, 50/75W=CRI:>70
- Operating temperature: -22°F - 131°F (10W) / -40°F - 140°F (50/75W)
- Long life LED chips
- 1/2" NPT stainless steel threaded nipple (10W)
- 3/4" NPT stainless steel threaded nipple (50W)
- Material: Aluminum die-cast/ Glass
- Color: Black
- 5 Year Warranty

### ACCESSORIES

-  Emergency Driver
-  Photocell
-  Slip Fitter

### SAMPLE NUMBER LED-FXFDL10/50K/BK

STYLE	FAMILY	SERIES	WATTAGE	COLOR TEMP	COLOR
LED LED Lighting	FX Fixture	FDL Floodlight	10 10 Watt	50K 5000K	BK Black



## ORDERING

Watts (W)	Ordering Code	Description	CCT (K)	Lumens (Lm)	Equiv. Wattage (W)	Dimmable	NPT	IP65 Rated
10	<b>7789</b>	LED-FXFDL10/30K/BK	3000K	1,284	100	-	1/2"	•
10	<b>7761</b>	LED-FXFDL10/50K/BK	5000K	1,284	100	-	1/2"	•
50	<b>7783</b>	LED-FXFDL50/66/40K/BK	4000K	6,656	250-400	1-10V	3/4"	•
50	<b>7784</b>	LED-FXFDL50/66/50K/BK	5000K	6,750	250-400	1-10V	3/4"	•
75	<b>7785</b>	LED-FXFDL75/66/40K/BK	4000K	10,008	400	1-10V	3/4"	•

## ACCESSORIES (Ordered Separately)

### Photocell



P10036 SEN-PHO-BT-MT/MV  
(Button Photocell 120V-277 for FDL #7783 & 7784)

### Slip Fitter



K209226 MT-FDL/SF  
(Slip Fitter Mount for FDL #7783,7784,7785)

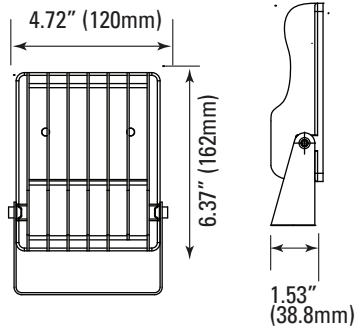
### Emergency Driver



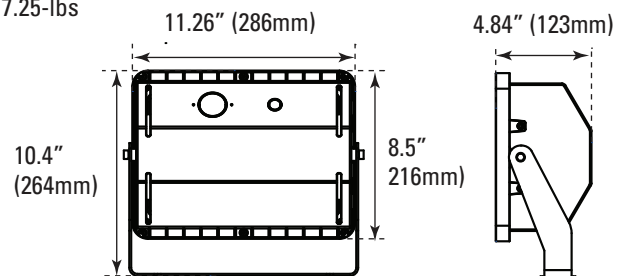
7334 BAEM15-48BC/MV-A  
(15W CEC Compliant LED Emergency Driver for FDL#7783,7784,7785)

## DIMENSIONS

**10W**  
1.10-lbs



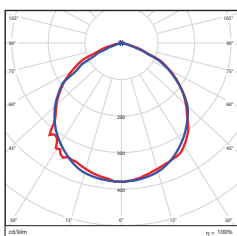
**50W/75W**  
6.80-lbs/ 7.25-lbs



## PHOTOMETRICS CHART

## PACKAGE

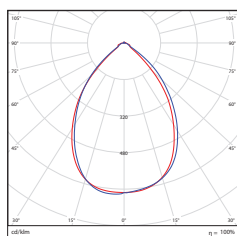
### 10 Watt



Center Beam fc	Beam Width
2.5R	7.2 R 7.2 R
5.0R	14.3 R 14.3 R
7.5R	21.7 R 21.5 R
10.0R	28.9 R 28.7 R
12.5R	35.2 R 35.6 R
15.0R	43.4 R 43.0 R

Vert. Spread: 110.7°  
Horiz. Spread: 110.2°

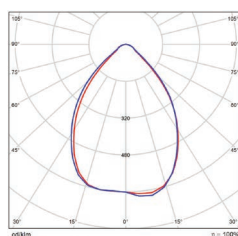
### 50 Watt



Center Beam fc	Beam Width
2.5R	3.0 R 3.9 R
5.0R	7.5 R 7.8 R
7.5R	11.3 R 11.7 R
10.0R	15.1 R 15.6 R
12.5R	18.9 R 19.6 R
15.0R	22.6 R 23.5 R

Vert. Spread: 74.1°  
Horiz. Spread: 76.1°

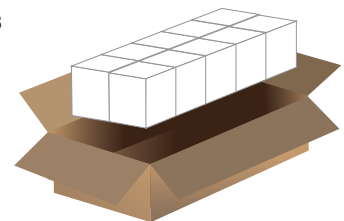
### 75 Watt



Center Beam fc	Beam Width
2.5R	3.7 R 4.0 R
5.0R	7.3 R 8.0 R
7.5R	11.0 R 12.0 R
10.0R	14.6 R 16.0 R
12.5R	18.3 R 20.0 R
15.0R	22.0 R 24.0 R

Vert. Spread: 72.4°  
Horiz. Spread: 77.3°

Case Qty 10 pcs  
(10 Watt)



Case Qty 1 pc  
(50 Watt/75Watt)

