

HBL HIGHBAY LINEAR

PROJECT: _____

SCHEDULE: _____ DATE: _____

PREPARE BY: _____

NOTES: _____

DESCRIPTION

naturaLED® offers the perfect solution for your lighting needs with our Linear High/Low Bay. This new design allows us to optimize all the beneficial characteristics of LED light in a high-performance fixture that will endure many years of service. These Linear High Bays are extremely durable, yet lightweight, with excellent thermal design. Chain with lock link is included for mounting. A yoke mount is an available option for surface and pendant mounting at an additional cost. This product is a hybrid crossover, which makes it an excellent fixture for new construction and/or as a replacement solution for your existing High/Low Bays needs.



APPLICATIONS

Warehouses, Parking Garages, Offices, Factories, Hospitals, Hotels

FEATURES

- Damp Location
- ETL Listed
- Color Temp: 4000K, 5000K
- Voltage: 120-277V, 277-480V
- Powerfactor >0.9
- Beam Angle: 110°
- Dimmable: 1-10V
- CRI: 80
- Operating temperature: - 40°F - 122°F
- Fully potted driver for excellent heat dissipation
- Excellent thermal design
- Minimum glare with diffused polycarbonate lens
- Select binning for consistent color
- Available in 16"x22" and 16"x44" configurations
- Material: extruded aluminum housing and epoxy powder coat
- 5Year Warranty
- Optional for purchase: yoke mount, motion sensor, wireguard, controller

ACCESSORIES

	Emergency Driver
	Motion Sensor
	Yoke Mount
	WireGuard
	Remote Controller
	Wall Switch

SAMPLE NUMBER LED-FXHBL150/22FR/850/480

STYLE	FAMILY	SERIES	WATTAGE	LENGTH	LENS	CR/COLOR TEMP	VOLTAGE
LED	FX	HBL	150	22	FR	850	480
LED Lighting	Fixture	High Bay Linear	150 Watt	22-inch	Frosted	CRI 80 5000K	277-480V



ORDERING

Watts (W)	Ordering Code	Description	CCT (K)	Lumens (Lm)	Equiv. Wattage (W)	Color	Damp Location
75	7407	LED-FXHBL75/22FR/850	5000K	10,229	250	White	•
100	7408	LED-FXHBL100/22FR/840	4000K	13,197	400	White	•
100	7409	LED-FXHBL100/22FR/850	5000K	13,430	400	White	•
150	7410	LED-FXHBL150/22FR/840	4000K	20,012	400-575	White	•
150	9285	LED-FXHBL150/44FR/840	4000K	20,032	400	White	•
162	7442	LED-FXHBL162/22FR/840	4000K	17,310	400-575	Silver	•
162	7443	LED-FXHBL162/22FR/850	5000K	17,672	400-575	Silver	•
210	9287	LED-FXHBL210/22FR/840	4000K	28,254	575-1000	White	•
210	7412	LED-FXHBL210/44FR/840	4000K	26,979	575-1000	White	•

ACCESSORIES (Ordered Separately)



Emergency Driver
7334 BAEM15-48BC/MV-A
(15W LED Emergency Driver
120-277V)



WireGuard
P10094 WG-HBL22/WH
(Wireguard 16"x22")

P10095 WG-HBL44/WH
(Wireguard 16"x44")



Yoke Mount
P10092 MT-YK-HBL22
(Yoke Mount 16"x22")

P10093 MT-YK-HBL44
(Yoke Mount 16"x44")

*Yoke Mount can be used with existing 3/4" NPT rigid pole



Remote Programmable Sensor
P10153 SEN-LRD-609-SAC
(Remote Programmable PIR sensor 0-10V
Bi-level External 100-277V IP66)



Remote Programmable
P10164 SEN-SRP280
(Remote Programmer for
P10162, P10163, P10153)



P10259 SEN-ON-SRP281
(Remote Programmable for Linkable Sensor
P10256, P10257, P10258)



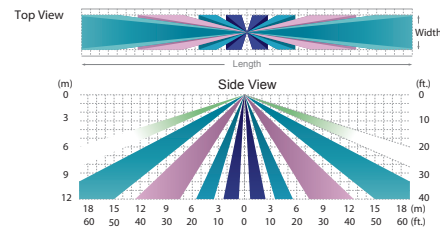
Remote Wall Switch for Linkable
P10260 SWCH-ON-PBD-705
(Remote Programmer Wall Switch
Linkable Sensor P10256, P10257, P10258)



Sensor Aisle Lens
P10162 SEN-LRD-509-SFG
(Remote Programmable PIR Sensor 0-10V
Bi-level Control 120-277V Aisle Lens)

P10256 SEN-ON-LRD-509-SFG
(Remote Programmable PIR Linkable Sensor 0-10V Bi-level
Control 120-277V Aisle Lens)

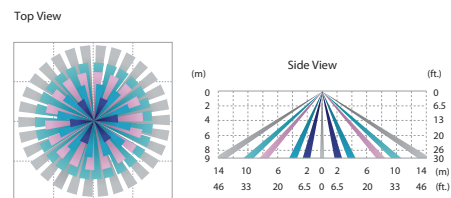
Aisle G Lens					
Mounting Height	ft. (m)	10 (3.0)	20 (6.0)	30 (9.0)	40 (12.0)
Max. Coverage Length x Width	ft. (m)	30 x 3.3 (9.0 x 1)	60 x 6.5 (18.0 x 2)	90 x 10 (27.0 x 3)	120 x 13 (36.0 x 4)



Sensor Area Lens
P10163 SEN-LRD-509-SFC
(PIR Motion/Photocell 0-10V Bi-level Control 100-277V Area Lens)

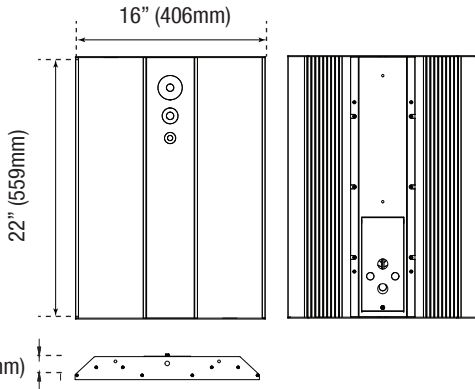
P10257 SEN-ON-LRD-509-SFC
(Remote Programmable PIR Linkable Sensor 0-10V Bi-level
Control 120-277V Area Lens)

Area C Lens					
Mounting Height	ft. (m)	15 (4.5)	20 (6.0)	26 (8.0)	30 (9.0)
Max. Coverage Diameter	ft. (m)	45 (13.5)	60 (18.0)	78 (24.0)	90 (27.0)

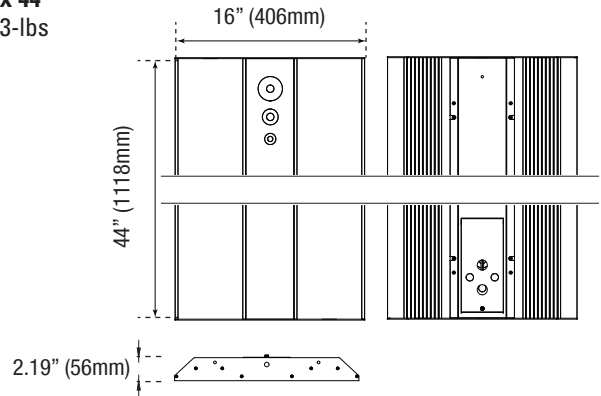


DIMENSIONS

16" x 22"
6.61-lbs

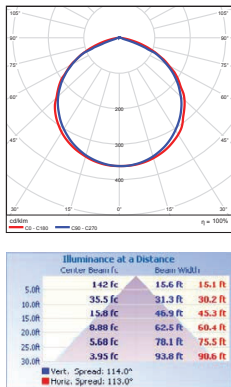


16" x 44"
16.53-lbs

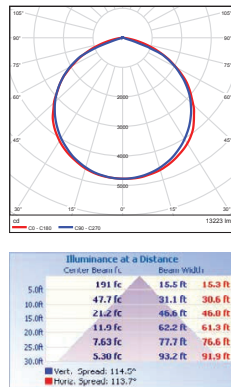


PHOTOMETRICS CHART

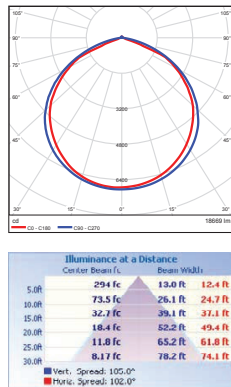
75 Watt - 16"x22"



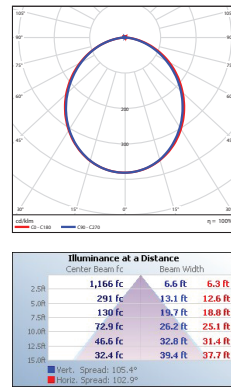
100 Watt - 16"x22"



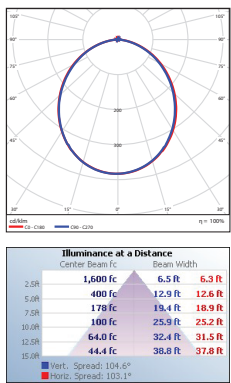
150 Watt - 16"x22"



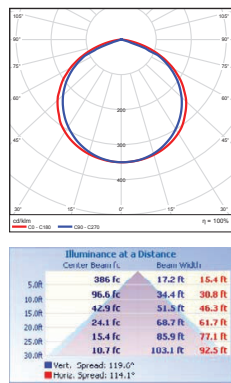
150 Watt - 16"x44"



210 Watt - 16"x22"



210 Watt - 16"x44"



PACKAGE

Case Qty 1 pc

