



The Millwright™

a naturaLED® brand

PROJECT:	
SCHEDULE:	DATE:
PREPARE BY:	
NOTES:	

HBR INDUSTRIAL HIGH BAY

DESCRIPTION

naturaLED® Industrial Round High Bay offers the perfect solution for your lighting needs for your industrial application. This new design allows us to optimize all the beneficial characteristics of LED lights in a high-performance fixture that will endure toughest environments: dirty, dusty, wet and high vibration areas of industrial plants.

naturaLED® Industrial Round High Bay Lights are extremely durable, yet lightweight, with excellent thermal design. Available in 200W and 340W, 110° (Medium) beam pattern, and can operate in ambient temperatures of up to 158 degrees Fahrenheit (70°C) at full lumen output.

APPLICATIONS

Warehouse Lighting, Steel Mill Factory, Industrial Facility, Factories

FEATURES

- DLC qualified
- IP66 rated (Protection against powerfully jetting water and dust tight)
- ETL Listed
- Voltage: 120-277V / 277-480V (250Vdc)
- Power Factor: >0.9
- Beam Angle: 110° (Medium) beam pattern ; 80° (Narrow) with aluminum reflector for optional purchase
- Dimmable: 0-10V
- CRI > 80
- THD: <15%
- Operating temperature: -22°F - 158°F (-40°C - 70°C)
- 70°C (158°F) operating temp at full lumen output
- L70 Rated Chip for over 100,000 projected life hours
- Uniform and consistent color: ANSI C78.377-2017
- Premium outdoor rated lens
- Dust-Free Design
- Light weight: <13 lbs (fixture weight when driver remotely mounted)
- 3/4" NPT mounting thread for standard mounting
- Remote driver system up to 100ft
- Material: die cast aluminum
- Finish: Corrosion resistant powder coating
- 5 Year Warranty
- Optional for purchase: wireless control system*, Reflector, Cable, Rod



ACCESSORIES

- Yoke Mount
- Surge Protector (120-277V)
- Surge Protector (347-480V)
- Surge Protector (120-277/347-480V)
- Aluminum Reflector
- 30ft Cable
- Pendant Rod

SAMPLE NUMBER FX16HBR200/110/850/IP66/MV

STYLE	DIAMETER	SERIES	Beam Angle	CRI/COLOR TEMP	IP rating	VOLTAGE
FX	16	HBR	110	850	IP66	MV
Fixture	16 inch	High Bay Round	110 degree	CRI 80 5000K	IP66	Multiple Voltage



ORDERING

*P= Premium DLC / *S = Standard DLC

Watts (W)	Ordering Code	Description	Color Temp (K)	Lumens (lm)	Efficacy (lm/W)	Voltage	IP66 Rated	DLC (P/S)
100	7523	FX16HBR100/110/850/IP66/MV	5000K	17,872	150	120-277V	•	S
100	7524	FX16HBR100/110/850/IP66/480	5000K	17,892	150	277-480V	•	S
200	9576	FX16HBR200/110/850/IP66/MV	5000K	35,472	175	120-277V	•	S
200	9573	FX16HBR200/110/850/IP66/480	5000K	36,281	175	277-480V	•	S
340	9599	FX16HBR340/110/850/IP66/MV	5000K	57,532	165	120-277V	•	S
340	9574	FX16HBR340/110/850/IP66/480	5000K	57,826	165	277-480V	•	S

ACCESSORIES (Ordered Separately)



Yoke Mount

P10439 MT-YK-HBR16-BK
(Yoke mount for HBR 16" Black)



30ft Cable

P10230 PWC-300V2-30ft-QC
(30ft-300V 2-Conductor w/connector)



Aluminum Reflector

P10440 CVR-16HBR-80-AL
80° Reflector for 16" Industrial High Bay
(23.2" Diameter x 9.84" Height)



Pendant Rod

P10233 MT-PIPE075-MPT-18IN/BK
3/4" NPT 18" Black Steel Pendant Rod (Threaded)



Surge Protector

P10390 SPD-L-20KV-277
(Long (Parallel) Type 20KV 120-277V)



Surge Protector

P10391 SPD-L-20KV-480
(Long (Parallel) Type 20KV 347-480V)



Surge Protector

P10431 SPD-R-20KV-277
(Round Type 20KV 120-277V)



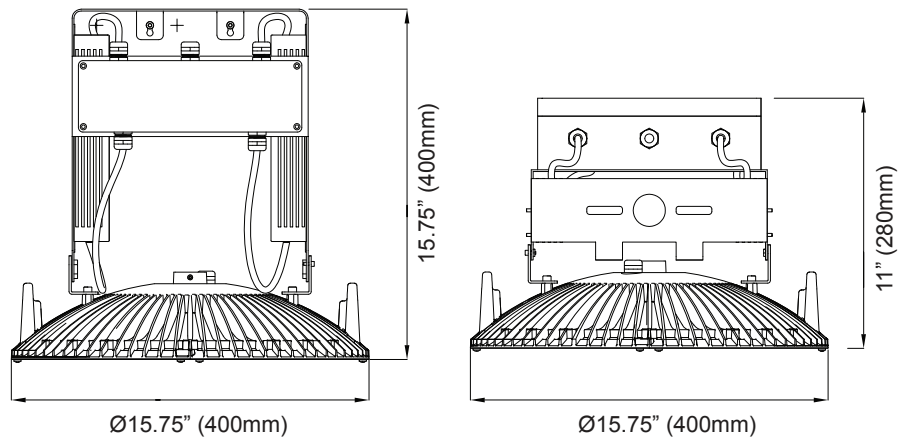
Surge Protector

P10432 SPD-R-20KV-480
(Round Type 20KV 347-480V)

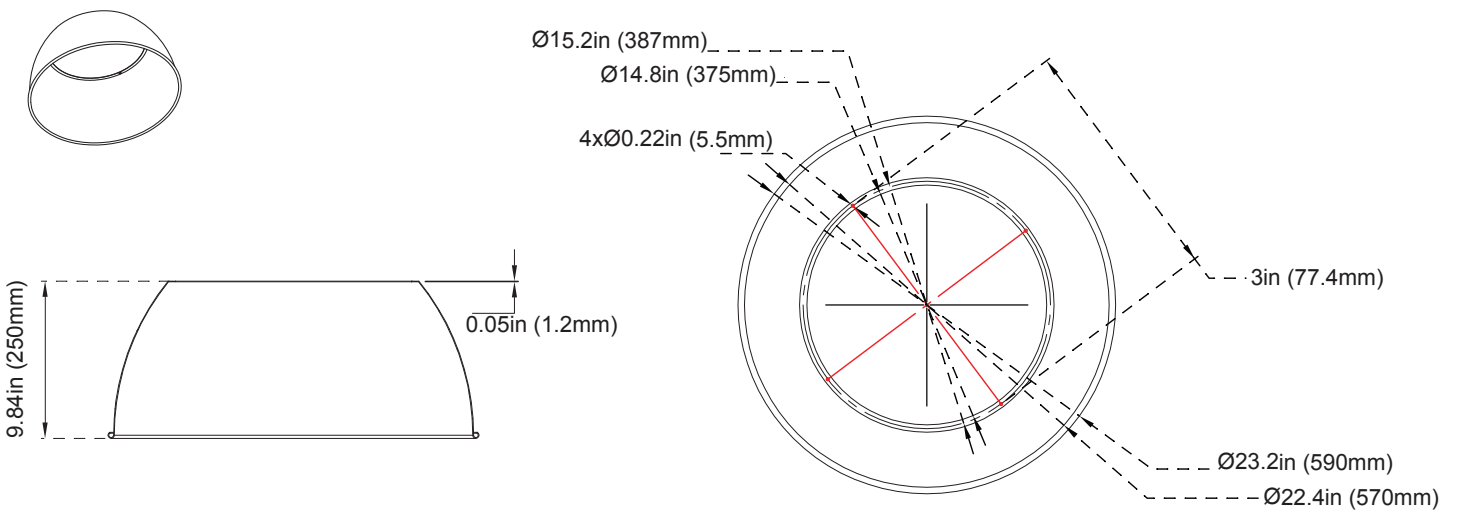
DIMENSIONS

16-inch

Wattage	Fixture weight with driver (lbs)	Fixture weight when driver remotely mounted (lbs)
100W	19.95	10.80
200W	20.95	11.80
340W	24.25	12.38



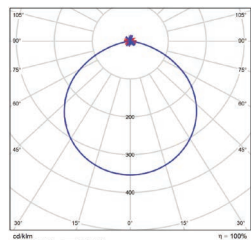
REFLECTOR DIMENSIONS



PHOTOMETRICS CHART

PACKAGE

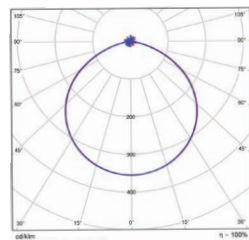
200 Watt
Medium Beam -110°



Center Beam Fc	Beam Width	
182 fc	25.8 ft	25.7 ft
44.9 fc	51.9 ft	51.8 ft
20.0 fc	77.7 ft	77.5 ft
11.3 fc	103.5 ft	103.2 ft
7.21 fc	129.6 ft	129.3 ft
5.01 fc	155.4 ft	155.0 ft

Vert. Spread: 114.3°
Horiz. Spread: 114.4°

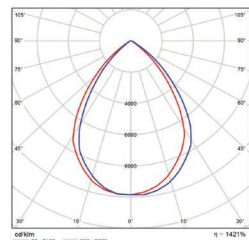
340 Watt
Medium Beam -110°



Center Beam Fc	Beam Width	
290 fc	25.6 ft	25.6 ft
71.5 fc	51.4 ft	51.5 ft
31.9 fc	77.0 ft	77.0 ft
18.0 fc	102.6 ft	102.6 ft
11.5 fc	128.5 ft	128.5 ft
7.98 fc	154.0 ft	154.1 ft

Vert. Spread: 114.0°
Horiz. Spread: 114.0°

340 Watt with Reflector
Narrow Beam - 80°



Center Beam Fc	Beam Width	
452 fc	13.1 ft	13.1 ft
112 fc	26.4 ft	26.3 ft
49.9 fc	39.5 ft	39.4 ft
28.1 fc	52.6 ft	52.5 ft
17.9 fc	65.9 ft	65.8 ft
12.5 fc	79.0 ft	78.9 ft

Vert. Spread: 76.6°
Horiz. Spread: 76.5°

Case Qty
1 pc

