

PCL PENDANT LIGHT

DESCRIPTION

naturaLED® Pendant Light (PCL) fixture is a versatile and high performance fixture offering both precision lighting and elegant style and can be used for any new constructions, remodel, or retrofit projects. Adjustable mounting for flat or sloped ceiling, which also includes pendant pole of 12" length or extension to 24" length. This classic cylindrical design with frosted lens allowing a modern look with a warm glow illuminating for both residential or commercial use.

APPLICATIONS

Architectural, Perimeter, Commercial, Pathway



PROJECT: _____

SCHEDULE: _____ DATE: _____

PREPARE BY: _____

NOTES: _____

Flat and Sloped Ceiling Mounting



Rated Life 50,000 Hours
Warranty 5 Years

FEATURES

- Energy Star
- Wet Location
- ETL Listed
- Color Temp: 3000K
- Voltage: 120-277V
- Powerfactor >0.9
- Surge Protection: 3.75KV
- Beam Angle: 33°
- CRI: >90
- Operating temperature: - 4°F - 122°F
- Excellent thermal design
- Easy installation
- 5 Year Warranty

INCLUDED WITH PENDANT



SAMPLE NUMBER LED-FX4PCL18/33/930/BK

STYLE	FAMILY	DIAMETER	SERIES	WATTAGE	BEAM ANGLE	CRI/COLOR TEMP	COLOR
LED	FX	4	PCL	18	33	930	BK
LED Lighting	Fixture	4.5-inch	Pendant Light	18 Watt	33°	CRI 90 3000K	Black



ORDERING

Watts (W)	Ordering Code	Description	CCT (K)	Lumens (Lm)	Equiv. Wattage (W)	Size	Wet Location	Energy Star
18	7794	LED-FX4PCL18/33/930/BK	3000K	1,300	100	4.5"	•	•

ACCESSORIES (Ordered Separately)

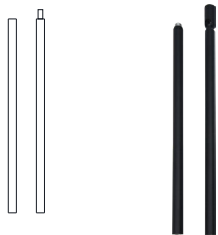
Emergency Driver



7337 BAEM25-170BC/347-C
(25W Micro Inverter 120-347 with 12" Conduit)

MOUNTING

Mounting Pole (Included)

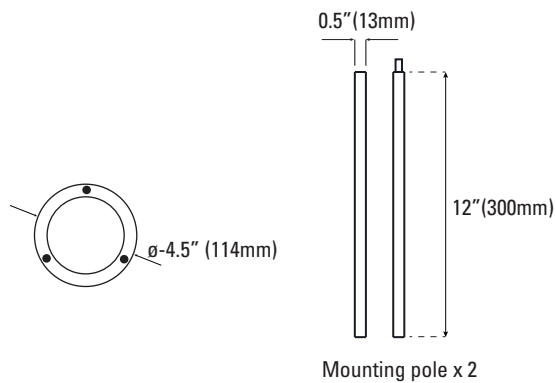
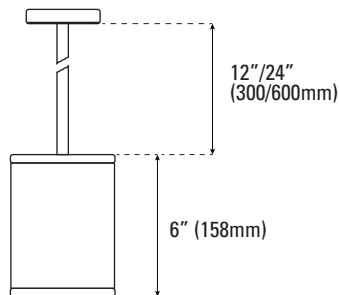


2 x Mounting pole (12 inch each)



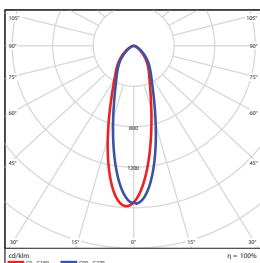
DIMENSIONS

18W (4.5-inch)
2.65-lbs



PHOTOMETRICS CHART

18W (4.5-inch)
Energy Star



Center Beam fc	Beam Width	
5.0ft	11.3 fc	2.8 ft 2.8 ft
10.0ft	28.3 fc	5.5 ft 5.6 ft
15.0ft	12.6 fc	8.3 ft 8.4 ft
20.0ft	7.08 fc	11.1 ft 11.1 ft
25.0ft	4.53 fc	13.8 ft 13.9 ft
30.0ft	3.15 fc	16.6 ft 16.7 ft

■ Vert. Spread: 31.0°
■ Horiz. Spread: 31.1°

PACKAGE

Case Qty
6 pcs

