

RCM 10" ROUND CANOPY

PROJECT: _____

SCHEDULE: _____ DATE: _____

PREPARE BY: _____

NOTES: _____

DESCRIPTION

naturaLED® RCM low-profile round canopy is exactly what you need for a durable, cost-effective lighting for parking garages, walkways, and outdoor canopies. This IP65 Rated fixture comes with Selectable Wattages and Selectable CCT. The canopy supports both direct surface mounting on either ceilings or walls. Optional Accessories for Motion Sensor, Photocell Sensor and EM driver.



APPLICATIONS

Breezeway, Parking Garages, Pathway, Perimeter, Entryway, Area Lighting, and building facades







Rated Life 50,000 Hours
Warranty 5 Years

FEATURES

- DLC Standard Qualified
- IP65 Rated
- ETL, cETL Listed
- Selectable Wattages
- Color Temp: 3CCT (3000/4000/5000K)
- Voltage: 120-277V
- Input Current: 0.27A
- Power Factor >0.9
- Surge Protection: 4KV
- Beam Angle: 120°
- Dimmable: 0-10V
- CRI: >90
- Operating temperature: - 40°F - 122°F
- Colors: Dark Bronze
- 5 Year Warranty
- Optional for Purchase: Motion Sensor, Emergency Drivers, Photocell Sensor, Remote Control

ACCESSORIES

	Motion Sensor
	Emergency Driver
	Photocell Sensor
	Remote Control

Wall Mount



Ceiling Mount



SAMPLE NUMBER FX10RCM29SW/9CCT3/DB

FAMILY	SERIES	WATTAGE	SELECTABLE	CRI/COLOR TEMP	FINISH COLOR
FX	10RCM	29	SW	9CCT3	DB
Fixture	10" Round Canopy	14 / 22 / 29	Selectable Wattage	CRI 90 3000K 4000K 5000K	Dark Bronze



ROUND CANOPY

WALL & AREA LUMINAIRES

*P= Premium DLC / *S = Standard DLC

ORDERING

Watts (W)	Ordering Code	Description	CCT (K)	Lumens (Lm)	Equiv. Wattage (W)	Color	IP65 Rated	DLC (S/P)
14	7670	FX10RCM29SW/9CCT3/DB	3CCT	1,610	150W	Dark Bronze	•	S
22			(3000/4000/	2,530				
29			5000K)	3,335				

ACCESSORIES (Ordered Separately)

Motion Sensor



P10438 SEN-HB001VCD-1
(Motion Sensor)

Emergency Driver



7336 BAEM4-60BC/MV-A
(4W CEC Compliant LED
Emergency Driver)

Photocell Sensor



P10543 SEN-PHO-SBT-MT/MV
(Small Button Photocell 120-277V)

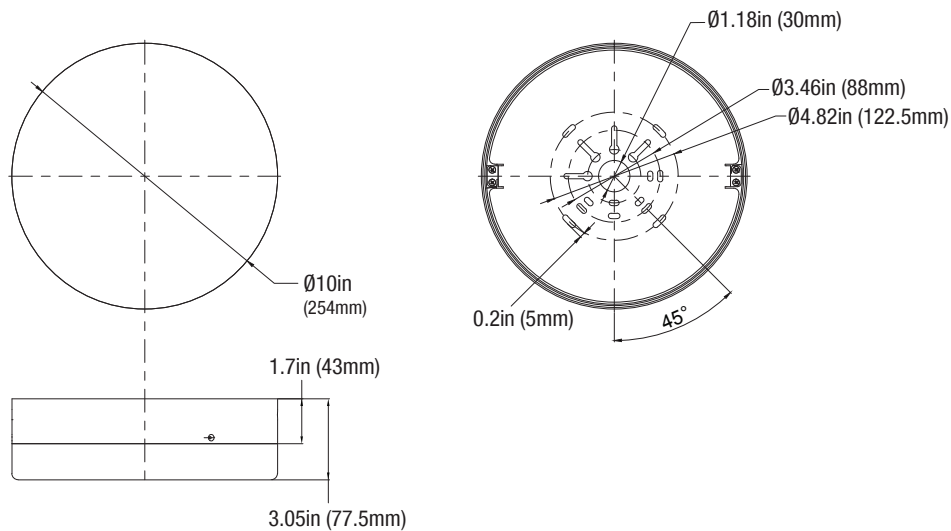
Remote Control



P10323 SEN-HD06R
(Remote Programmer for P10438)

DIMENSIONS

14/22/29W
5.95-lbs



PACKAGE

Case Qty 2 pcs

