

## SCM SLIM CANOPY

### DESCRIPTION

naturaLED® SCM is ETL for wet locations with a rating of IP65. Aesthetically pleasing construction, low-profile design with die-cast aluminum housing and shatter-resistant polycarbonate prismatic lens. Dustproof, sealed structure, 1/2" threaded conduit entrances on each side. This fixture comes with or without an integral microwave occupancy sensor, factory mounted behind the lens. The microwave occupancy sensor has multiple sensor settings that can be selected via dip switch at the sensor brain inside the fixture which include: daylight sensing, step-dimming, area sensitivity, standby time and on/off. The canopy supports both pendant mounting and direct surface mounting ceiling and wall. The fixture can be Pendant Mounted and accepts a 3/4" NPT thread and can be mounted to multiple types of J-boxes.

### APPLICATIONS

Warehouses, Parking Garages, Offices, Factories, Hospitals, Hotels

### FEATURES

- DLC Premium
- IP65 Rated
- ETL Listed
- ColorTemp: 4000K, 5000K
- Voltage: 120-277V
- Powerfactor >0.9
- Surge Protection: 2KV
- Beam Angle: 160°
- Dimmable: 1-10V
- CRI: >70
- Operating temperature: - 22°F - 131°F
- Multiple Sensor Settings
- Material: aluminum die-cast
- Shatter-resistant Polycarbonate Lens
- Colors: Black /White
- 5 Year Warranty
- Optional for Purchase: Drop Lens, Frosted Lens, Beauty Plates

PROJECT: \_\_\_\_\_

SCHEDULE: \_\_\_\_\_ DATE: \_\_\_\_\_

PREPARE BY: \_\_\_\_\_

NOTES: \_\_\_\_\_



### ACCESSORIES

	Beauty Plate
	Drop Lens
	Frosted Lens
	Motion Sensor

SAMPLE NUMBER		LED-FXSCM70/50K/BK-SEN				
STYLE	FAMILY	SERIES	WATTAGE	CRI/COLOR TEMP	COLOR	ACCESSORY
LED	FX	SCM	70	50K	BK	SEN
LED Lighting	Fixture	Slim Canopy	70 Watt	5000K	Black (WH) White	(SEN) Motion Sensor none N/A



ORDERING

\*P= Premium DLC / \*S = Standard DLC

Watts (W)	Ordering Code	Description	CCT (K)	Lumens (Lm)	Dim (V)	Color	Sensor	IP65 Rated	DLC (S/P)
42	<b>7471</b>	LED-FXSCM42/50K/BK	5000K	4,682	1-10V	Black	-	•	-
59	<b>7473</b>	LED-FXSCM59/50K/BK	5000K	7,910	1-10V	Black	-	•	P
42	<b>7498</b>	LED-FXSCM42/50K/WH	5000K	4,682	1-10V	White	-	•	-
59	<b>7499</b>	LED-FXSCM59/40K/WH	4000K	7,795	1-10V	White	-	•	P
42	<b>7492</b>	LED-FXSCM42/50K/BK-SEN	5000K	4,784	1-10V	Black	•	•	-
28	<b>7480</b>	LED-FXSCM28/50K/WH-SEN	5000K	3,606	1-10V	White	•	•	-
70	<b>7564</b>	LED-FXSCM70/50K/BK-SEN	5000K	5,900	1-10V	Black	•	•	-
70	<b>7439</b>	LED-FXSCM70/50K/WH	5000K	5,900	1-10V	White	-	•	-
45	<b>7561</b>	LED-FXSCM45/50K/WH-SEN	5000K	4,150	1-10V	White	•	•	-
70	<b>7565</b>	LED-FXSCM70/50K/WH-SEN	5000K	5,900	1-10V	White	•	•	-

ACCESSORIES (Ordered Separately)

Drop Lens



P10126 LENS-SCM/DR9X9  
(Drop Lens for SCM 28W, 42W, 59W)

Motion Sensor



P10234 SEN-MC605V-D  
(Microwave Motion Photocell Sensor 0-10V)

Frosted Lens



P10125 LENS-SCM/FR9X9  
(Frosted Lens for SCM 28W, 42W, 59W)

Beauty Plates

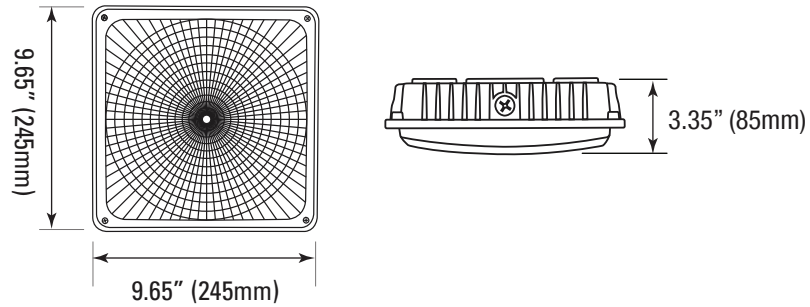


P10195 PLT-SCM/14X14/WH  
(14"x14" Beauty Plate used with SCM)

P10196 PLT-SCM/24X24/WH  
(24"x24" Beauty Plate used with SCM)

DIMENSIONS

28W 42W 59W  
4.50-lbs 5.10-lbs 5.10-lbs



PHOTOMETRICS CHART

28 Watt  
Slim Lens

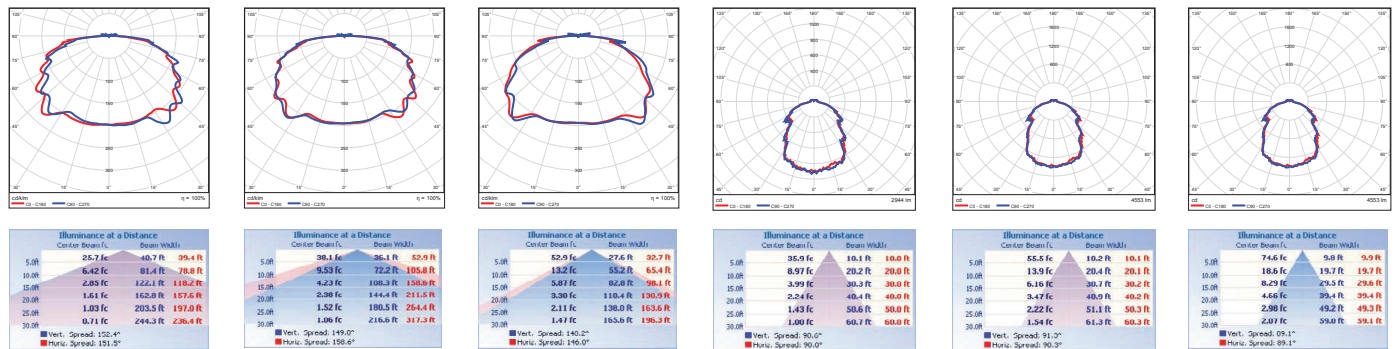
42 Watt  
Slim Lens

59 Watt  
Slim Lens

28 Watt  
Tall Lens

42 Watt  
Tall Lens

59 Watt  
Tall Lens



PACKAGE

Case Qty 1 pc

