

VTL VAPOR TIGHT 11"

PROJECT: _____

SCHEDULE: _____ DATE: _____

PREPARE BY: _____

NOTES: _____

DESCRIPTION

naturaLED® linear vapor tight 11-inch is housed in polycarbonate silicon perimeter gasket with brackets for mounting. Engineered for powerful lighting, the IP66-rated LED Vapor Tight Linear Fixtures are designed to replace fluorescent strip fixtures and can be used in parking garage, corporate campus, education facility, storage facility, car washes, tunnels and stairwell lighting. Using up to 65% less energy and operating for up to 50,000 average life hours, our fixture comes with selectable wattages and selectable color temperatures.

APPLICATIONS

Corporate campus, education, healthcare facilities, parking structure, tunnels, car wash, stairwell lighting, meeting rooms, offices, schools, hospitals, hospitalities




FEATURES

- DLC Premium
- IP66 Rated
- ETL / ETL Sanitation Rated
- NEMA 4X
- Selectable Wattages (120/160/200W)
- ColorTemp: Selectable 3CCT (35/40/50K)
- Voltage: 120-347V
- Power Factor: >0.9
- Surge Protection: 6KV
- Beam Angle: 120°
- Dimmable: 0-10V
- CRI: >80
- Operating temperature: - 40°F - 122°F
- Designed for maximum operation in commercial environments
- Lighter weight housing for easy installation
- Stainless steel hasps and clips
- 5Year Warranty
- Optional for purchase: Microwave Motion Sensor, Emergency Driver, Remote Programmer



Rated Life Hours 50,000
Warranty 5 Years

ACCESSORIES

-  Microwave Motion Sensor
-  Emergency Driver
-  Remote Programmer

SAMPLE NUMBER VTL11/200S/48FR/8C3/347

SERIES	SIZE	WATTAGE	LENGTH/LENS	TYPE	VOLTAGE
VTL	11	200SW	48FR	8C3	347
Vapor Tight Linear	11-inch	Selectable Wattage <200W	48-inch Frosted	CRI 80 CCT Selectable Color Temp 3500/4000/5000K	120-347V



NEMA 4X



VAPOR TIGHT LINEAR 11"

CEILING & AREA LUMINAIRES

ORDERING

*P= Premium DLC / *S = Standard DLC

Watts (W)	Ordering Code	Description	CCT (K)	Lumens (Lm)	Length	Equiv. Wattage (W)	Dimmable	IP Rating	DLC (S/P)
120	9676	VTL11/200S/48FR/8C3/347	3CCT	19,200	4'	100-400W	0-10V	IP66	P
160			(35/40/50K)	25,600					
200				32,000					

ACCESSORIES (Ordered Separately)

Emergency Driver Kit (60W & 100W)



7337 BAEM25-170BC/347-C
(25W Micro Inverter 120-347V with 12" Conduit)



7341 BAEM20-260BC/347-A
(20W 90-260Vdc Ballast Emergency Battery 120-347V)

Surge Protector



P10389 SPD-L-10KV-277
(10KV Surge Protection 120-277V)



P10390 SPD-L-20KV-277
(20KV Surge Protection 120-277V)



P10391 SPD-L-20KV-480
(20KV Surge Protection 347-480V)

Motion Sensor and Remote Control



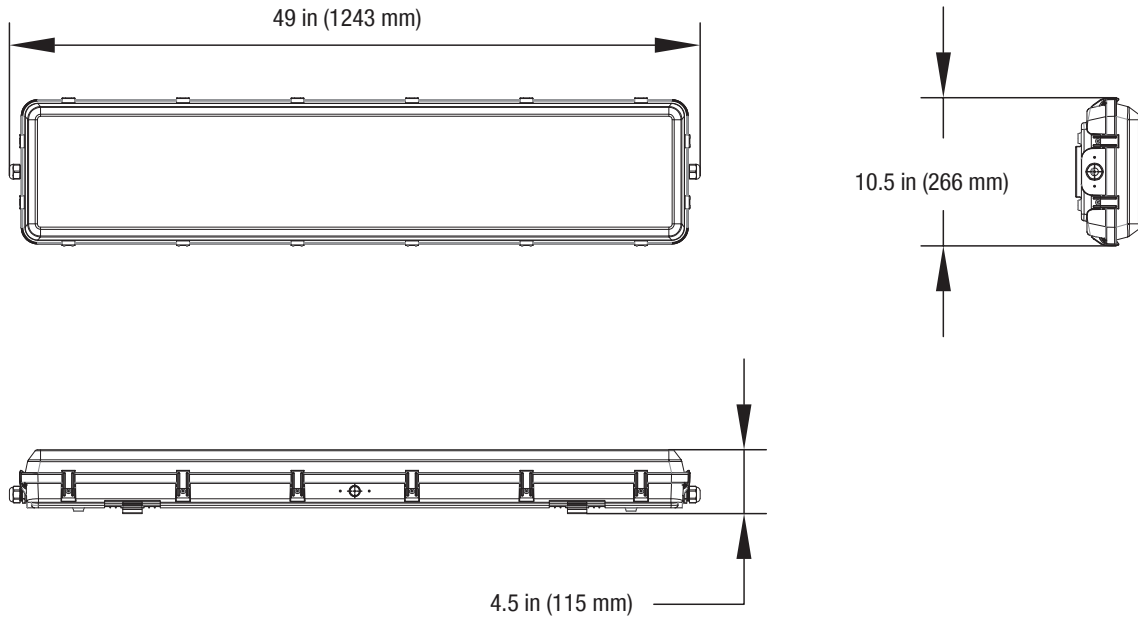
P10438 SEN-HB001VCR-1
(Remote Programmable Microwave Motion Sensor 0-10V Bi-Level Internal 12V Low Voltage)



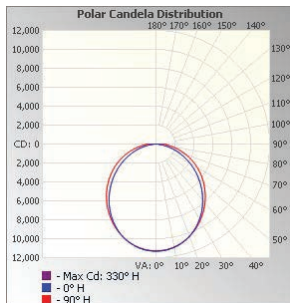
P10323 SEN-HD06R
(Remote Programmer)

DIMENSIONS

4-ft
13.9-lbs



PHOTOMETRICS CHART



■ Vert. Spread: 104.3°
■ Horiz. Spread: 113.0°

Center Beam fc	Beam Width
1.3ft	6,682 fc 3.3 ft 3.9 ft
2.7ft	1,549 fc 7.0 ft 8.2 ft
4.0ft	706 fc 10.3 ft 12.1 ft
5.3ft	402 fc 13.6 ft 16.0 ft
6.7ft	252 fc 17.3 ft 20.3 ft
8.0ft	176 fc 20.6 ft 24.2 ft

PACKAGE

Case Qty 1 pc

